

88 5004 941

Kitchen Island Combo (Oak Finish)

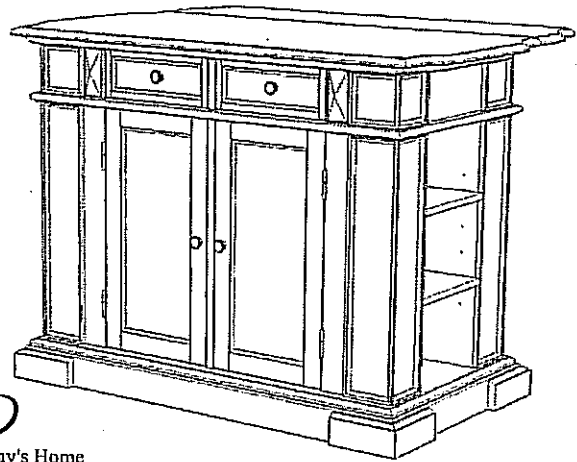
IMPORTANT NOTE

Carefully remove all the parts from the carton and put them individually on a soft cloth to prevent scratches or other damages occurring to the wood parts.

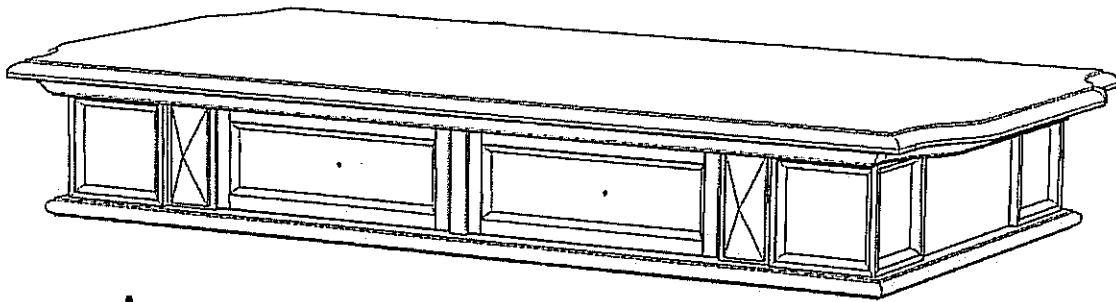
We have taken great care in the design of this product and request that you carefully and strictly follow our assembly instructions to ensure a completed product as it was designed.



Casual Attire For Today's Home



Part List



A.
Top Unit
1 pc.

For assembly see instructions in carton 88 5004 943

Tools required for assembly: **Phillips** screwdriver

Home Styles Consumer Assistance Line 888-680-7460 and 877-831-0319
servicedesk@homestyles-furniture.com

88 5004 942

Kitchen Island Combo (Oak Finish)

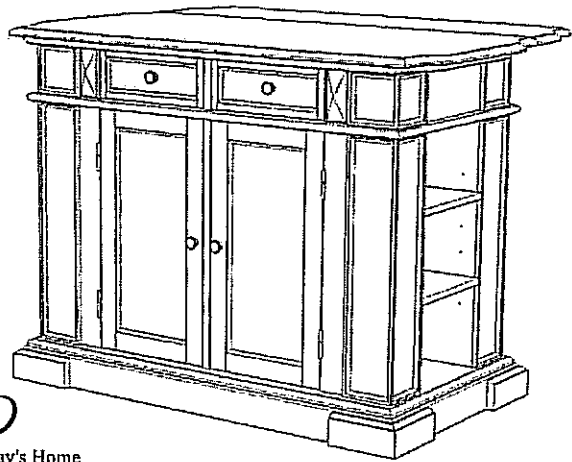
IMPORTANT NOTE

Carefully remove all the parts from the carton and put them individually on a soft cloth to prevent scratches or other damages occurring to the wood parts.

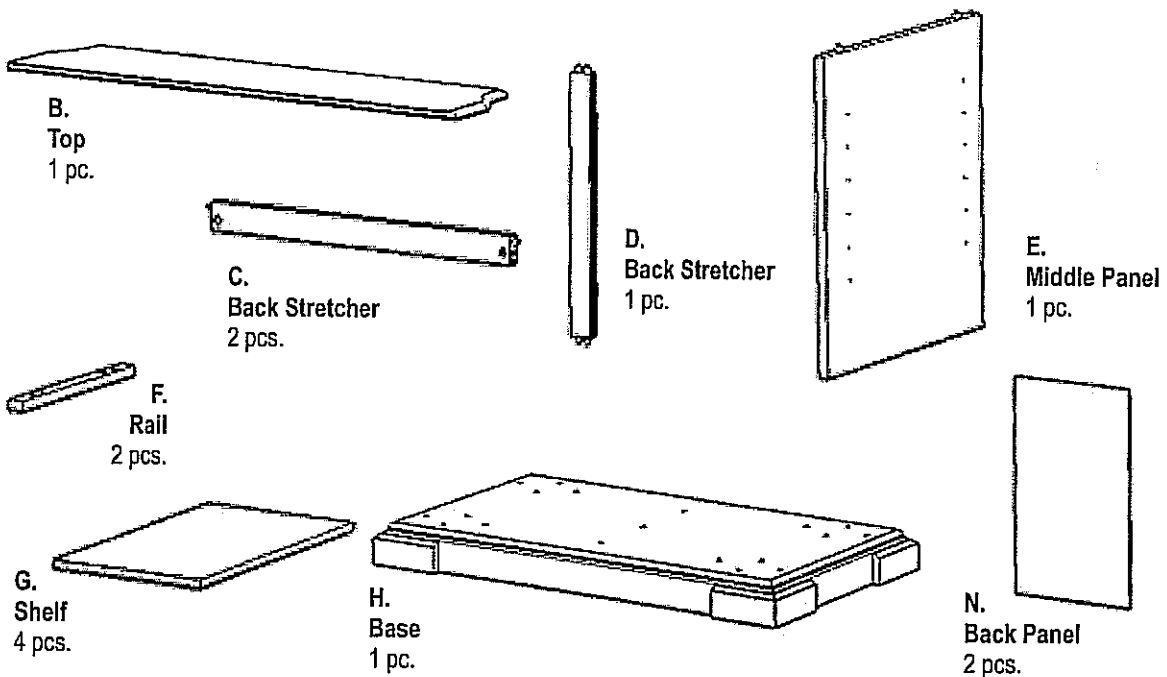
We have taken great care in the design of this product and request that you carefully and strictly follow our assembly instructions to ensure a completed product as it was designed.



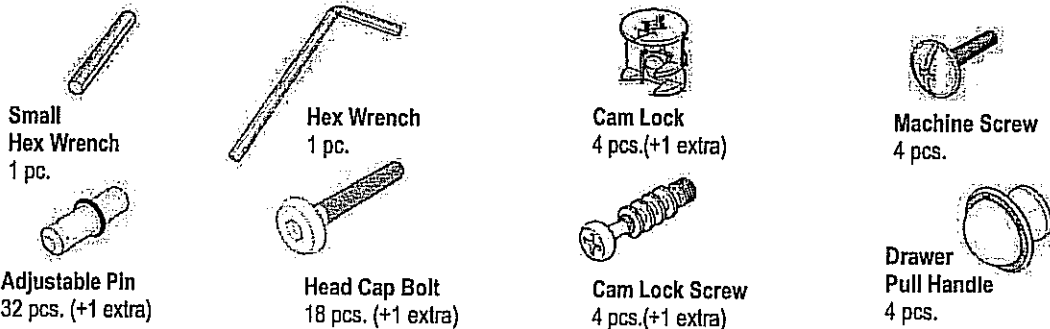
Casual Attire For Today's Home



Part List (in this carton)



Hardware List



For assembly see instructions in carton 88 5004 943

Tools required for assembly: Phillips screwdriver

Home Styles Consumer Assistance Line 888-680-7460 and 877-831-0319
servicedesk@homestyles-furniture.com

88 5004 943

Kitchen Island Combo (Oak Finish)

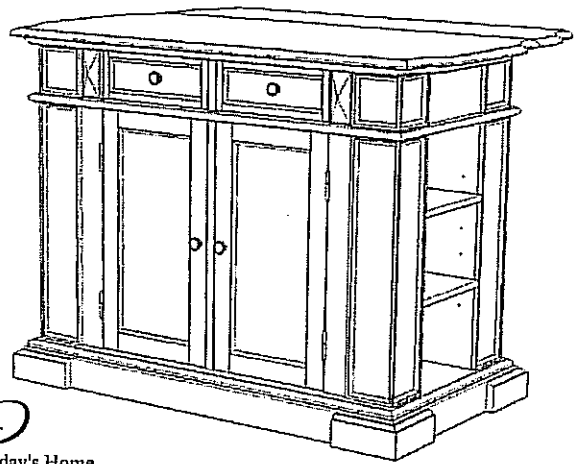
IMPORTANT NOTE

Carefully remove all the parts from the carton and put them individually on a soft cloth to prevent scratches or other damages occurring to the wood parts.

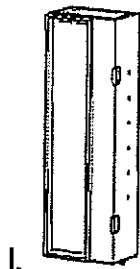
We have taken great care in the design of this product and request that you carefully and strictly follow our assembly instructions to ensure a completed product as it was designed.



Casual Attire For Today's Home



Part List (in this carton)



I.
Leg
1 pc.



J.
Leg
1 pc.



K.
Leg
1 pc.



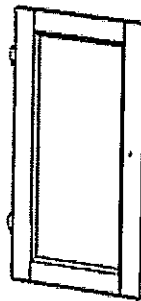
L.
Leg
1 pc.



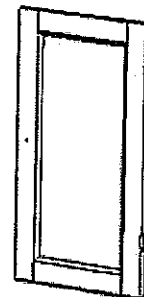
M.
Side Panel
2 pcs.



O.
Shelf
4 pcs.



P.
Door
1 pc.



Q.
Door
1 pc.

Also need the following from carton 88 5004 941, 88 5004 942

Part List in carton 88 5004 941

Top Unit (A)	1 pc.
Part List in carton 88 5004 942	
Top (B)	1 pc.
Back Stretcher (C)	2 pcs.
Back Stretcher (D)	1 pc.
Middle Panel (E)	1 pc.
Rail (F)	2 pcs.
Shelf (G)	4 pcs.
Base (H)	1 pc.
Back Panel (N)	2 pcs.

Hardware List in carton 88 5004 942

Hex Wrench	1 pc.
Small Hex Wrench	1 pc.
Cam Lock	5 pcs.
Cam Lock Screw	5 pcs.
Head Cap Bolt	19 pcs.
Adjustable Pin	33 pcs.
Machine Screw	4 pcs.
Drawer Pull Handle	4 pcs.

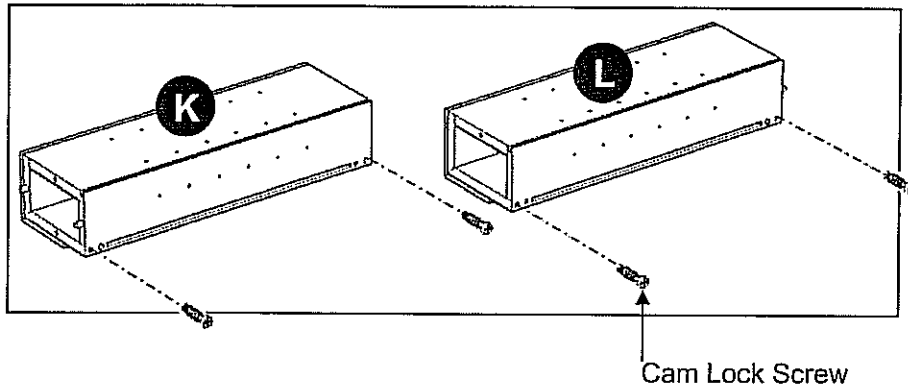
Tools Required For Assembly : Phillips screwdriver

Home Styles Consumer Assistance Line 888-680-7460 and 877-831-0319
servicedesk@homestyles-furniture.com

IMPORTANT

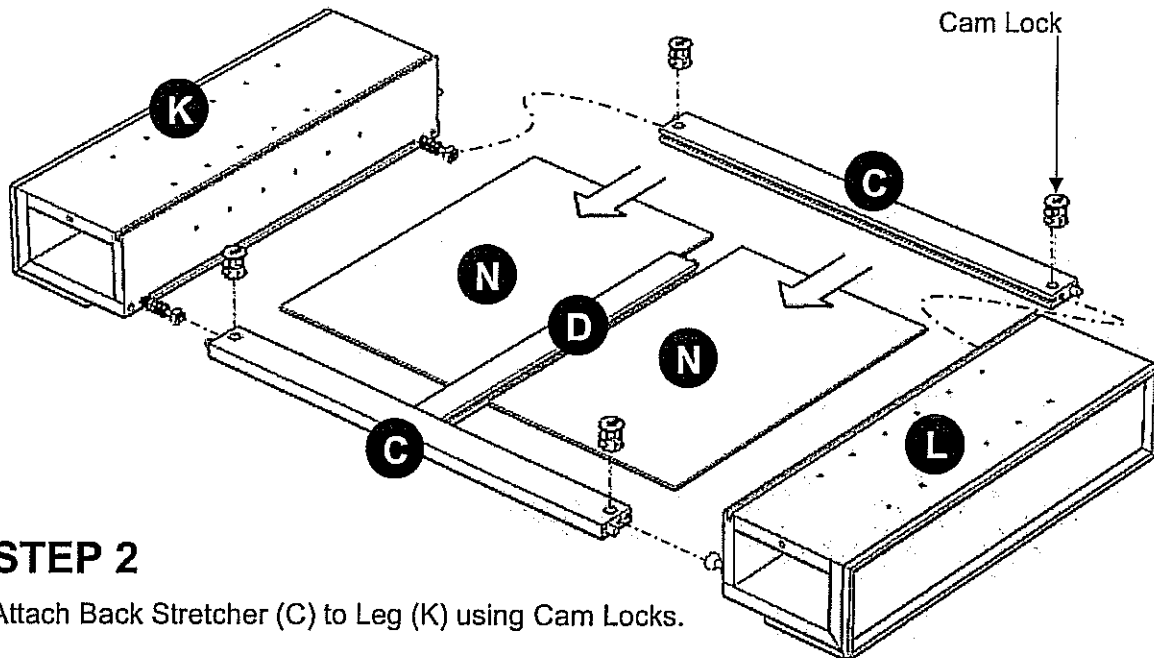
Do not tighten up all the screws until each part is properly assembled.

You should keep Hex Wrench in the safe place as you may need to tighten up the Head Cap Bolts in the future.



STEP 1

Put Cam Lock Screws into the pre-drilled holes of Leg (K),(L) and tighten.



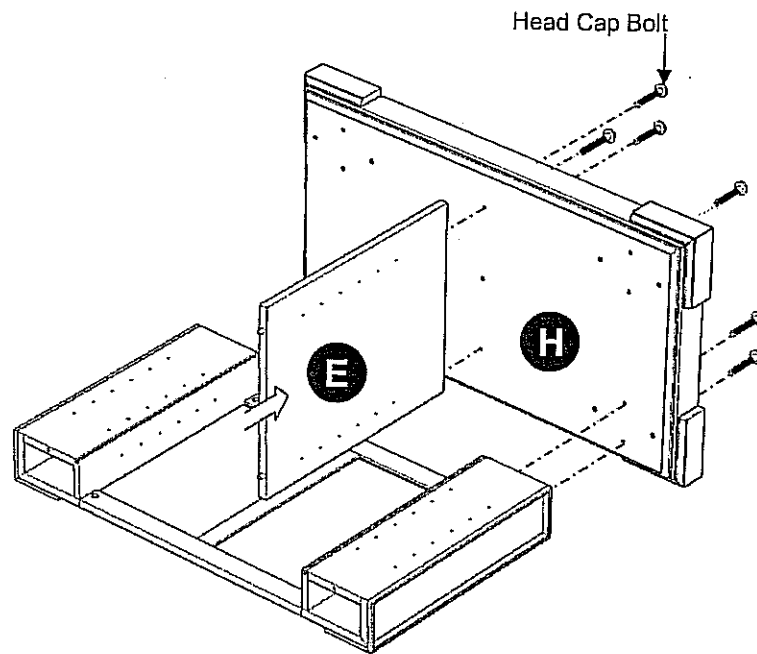
STEP 2

Attach Back Stretcher (C) to Leg (K) using Cam Locks.

Attach Back Stretcher (D) to Back Stretcher (C).

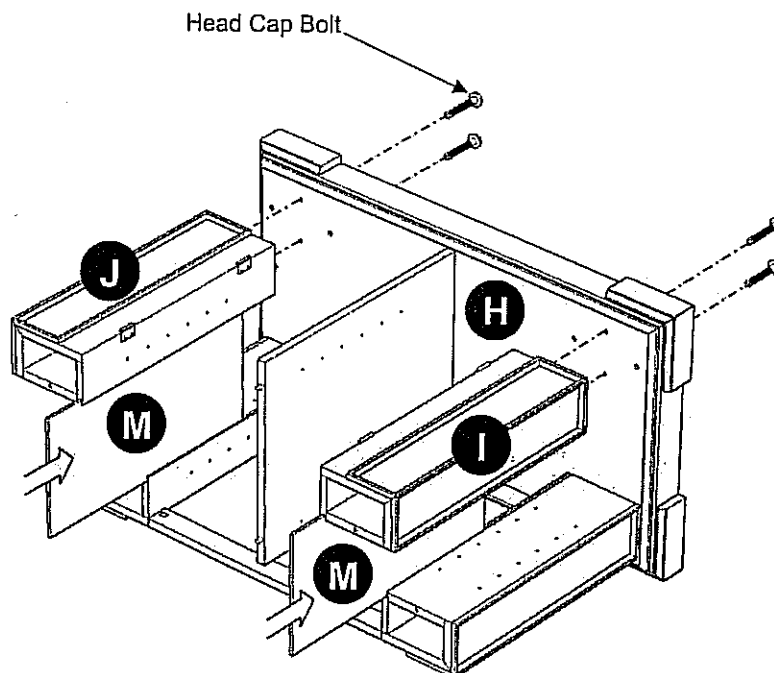
Slide Back Panel (N) to unit, then attach Back Stretcher (C) to unit using Cam Locks.

Attach Leg (L) to the unit using Cam Locks.



STEP 3

Attach unit from Step 2 and Middle Panel (E) to Base (H) with Head Cap Bolts.



STEP 4

Attach Leg (I) and (J) to Base (H) with Head Cap Bolts.

Slide Side Panels (M) into position.

STEP 5

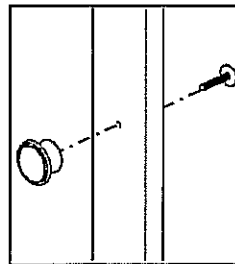
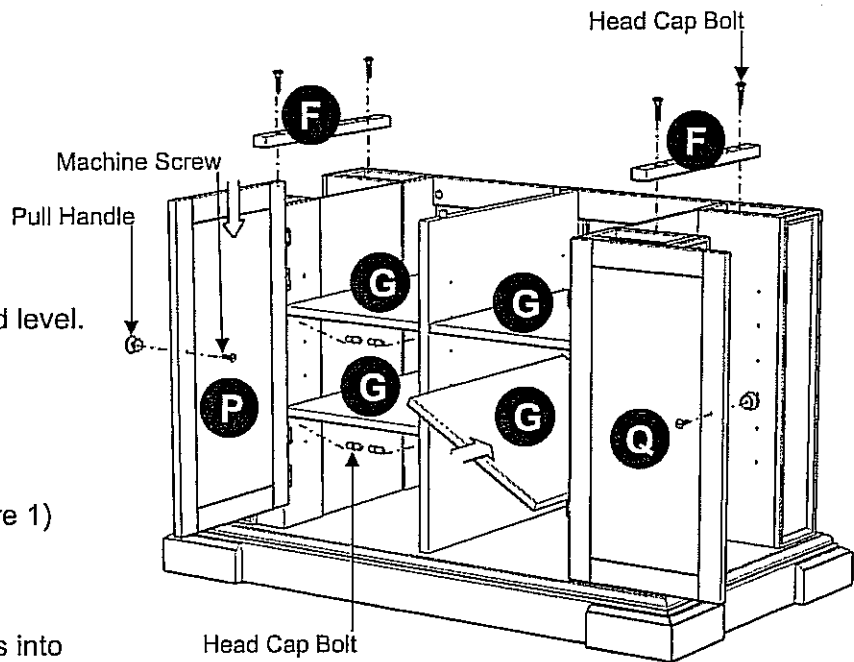
Attach Rail (F) to unit with Head Cap Bolts.

Insert Adjustable Pins Into both side panels and Middle Panels at the desired level.

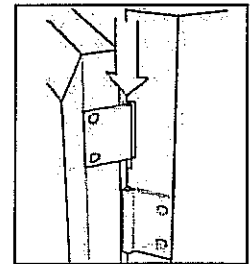
Slide Shelf (G) into place.

Assemble Pull Handle to Door (P) and (Q) with Machine Screws. (see Figure 1)

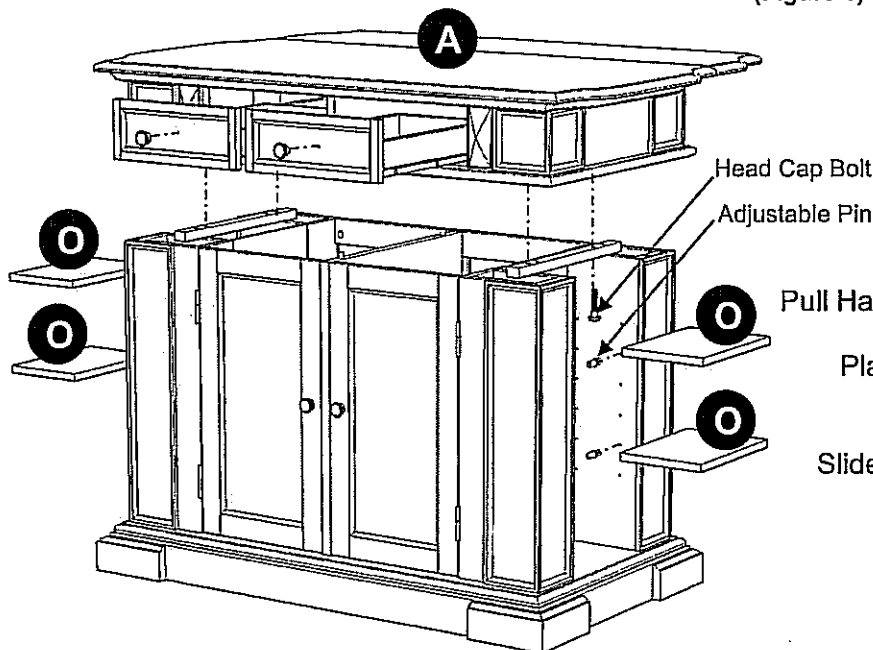
Attach Door (P) and (Q) to the side panels by sliding the door lift hinges into the side panel lift hinges. (see Figure 2)



(Figure 1)



(Figure 2)



STEP 6

Remove the drawers in Top Unit (A) and assemble Pull Handle with Machine Screws.

Place Top (A) on the unit with Head Cap Bolts.

Slide the Drawers into position.

Insert Adjustable Pins Into both side panels at the desired level.

Slide Shelf (O) into Place.