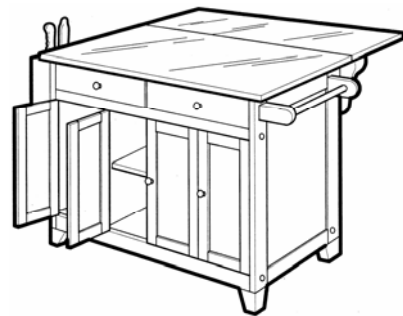
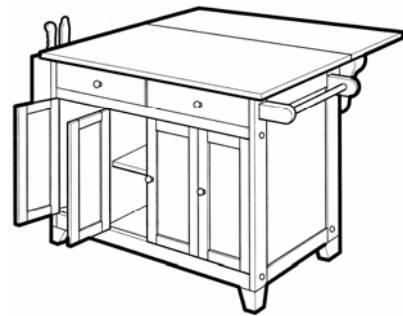


Thank you for purchasing a Michael Scott product. Before you begin assembly:

- Verify that all of the required parts have been included in the carton. The contents included in the box of your new product are listed below.
- Clear an area for assembly as you unpack the carton. The parts should be placed on a carpeted or padded area to protect your product and the floor from damage.

Need assistance assembling our product or need parts

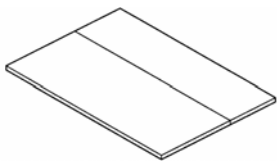
Call our Customer Service Department at
1-888-873-4376 8:00am - 4:00pm Central Time



Cleaning and Care

Use a slightly damp cloth to wipe the product. Always avoid the use of harsh chemicals and abrasives.

Pieces for Furniture Construction



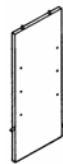
(A) Top Panel



(B) Side Panel - L



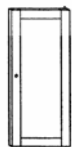
(C) Side Panel - R



(D) Mid Panel - L



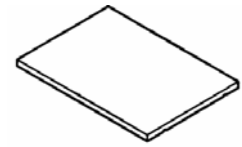
(E) Mid Panel - R



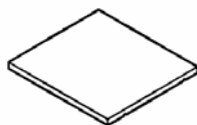
(F) Door - L - 2



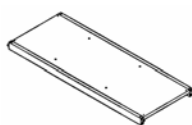
(G) Door - R - 2



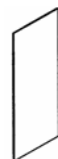
(H) Long Wood Shelf



(I) Short Wood Shelf - 2



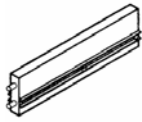
(J) Bottom Panel



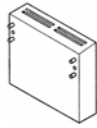
(K) Mid Back Panel



(L) Side Back Panel-2



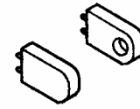
(M) Divider



(N) Knife Rack



(O) Wood Bar



(P) Hanging Bar - L & R



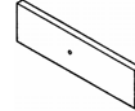
(Q) Front Apron



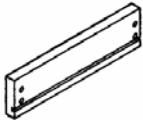
(R) Back Apron



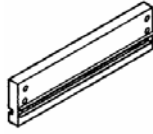
(S) Back Wood Support - 2



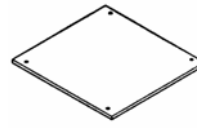
(T) Drawer Front - 2



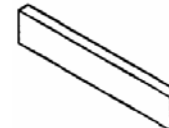
(U1) Drawer Side L - 2



(U2) Drawer Side R - 2



(V) Drawer Bottom - 2

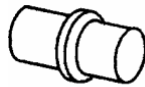


(W) Drawer Back - 2

Hardware



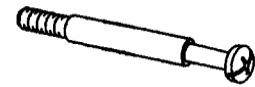
(1) Screw - 18



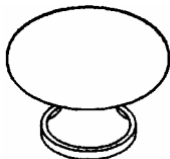
(2) Shelf Pin - 12



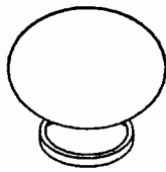
(3) Cam Lock - 4



(4) Cam Lock Screw - 4



(5) Metal Knob - 6



(6) Wood Knob - 6



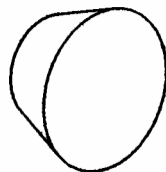
(7) Small Screw - 6



(8) Large Wood Screw - 16



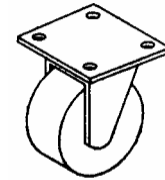
(9) Med Wood Screw - 16



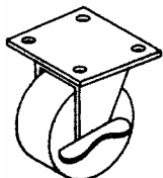
(10) Wood Plug - 8



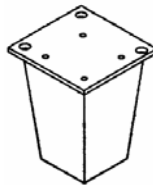
(11) Hex Wrench - 1



(12) Caster - 2



(13) Lock Caster - 2



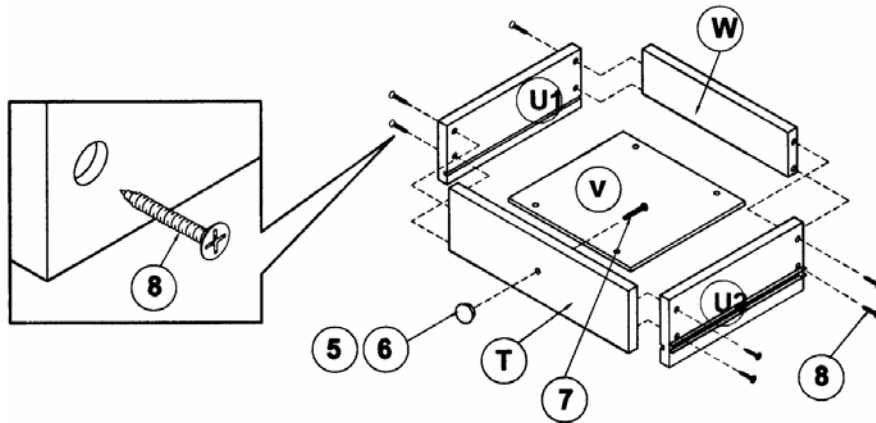
(14) Bunfoot - 4



(15) Small Wood Screw - 8

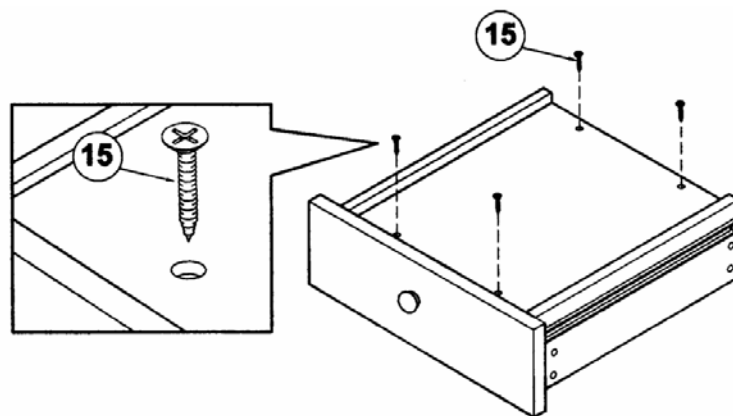
Assembly

You will need a Phillips head screwdriver and a Flat head screwdriver for assembly



Step 1:

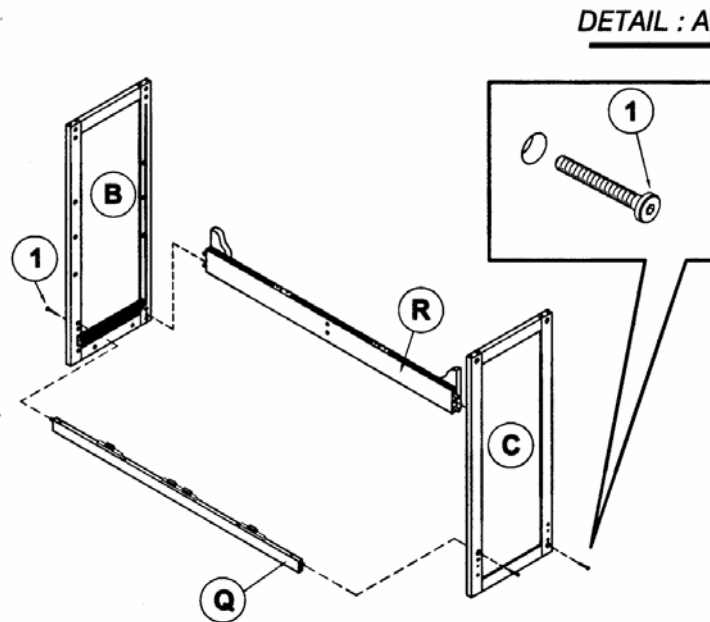
- Place Drawer Bottom (V) on a flat padded surface.
- Attach Drawer Side - L (U1), Drawer Side - R (U2), Drawer Back (W), and Drawer Front (T) to Drawer Bottom (V) using 8-Large Wood Screws (8).
- Tighten with a Phillips head screwdriver
- **Metal and Wood Knobs are included so you may choose the Knob to complement your style.**
- Attach Metal or Wood Knob (5 or 6) to Drawer Front (T) using 1-Small Screw (7)



Step 2:

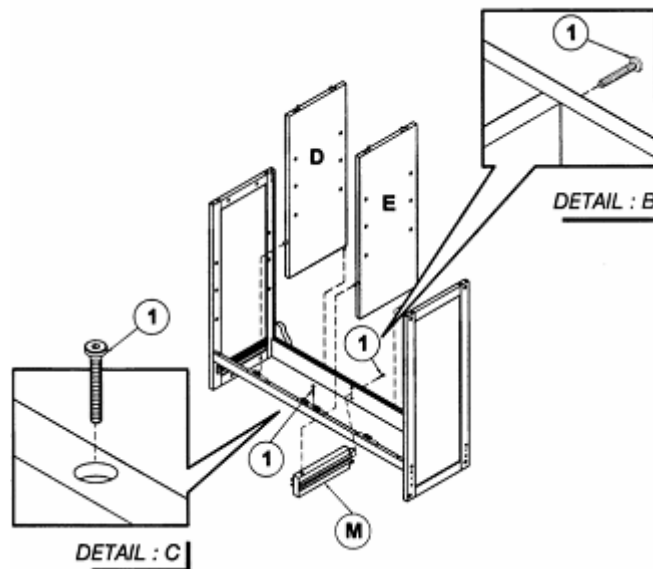
- Turn assembled Drawer upside down.
- Insert 4-Small Wood Screws (15) into 4 holes in Drawer Bottom (V).
- Tighten with a Phillips head screwdriver

Repeat Steps 1 and 2 for the other drawer.



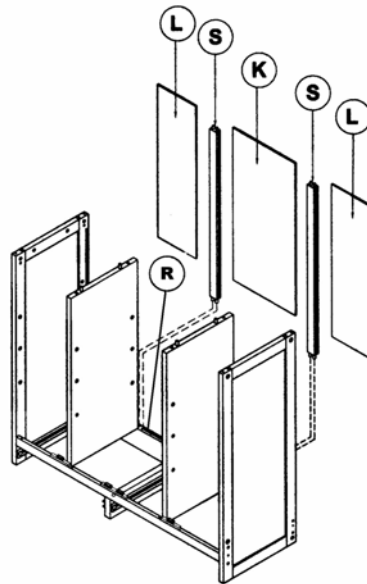
Step 3:

- Attach Front Apron (Q) and Back Apron (R) to Side Panel - L (B) using 2-Screw (1) and Hex Wrench (11) provided.
- Repeat for Side Panel - R (B).



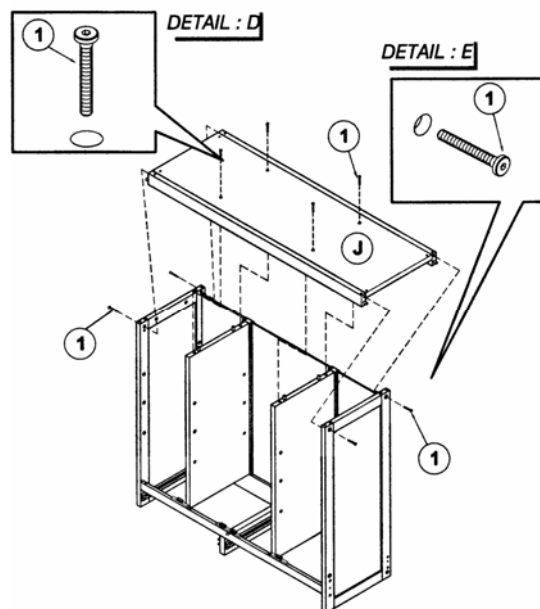
Step 4:

- Insert dowels on Mid Panel - L (D) and Mid Panel - R (E) as shown in diagram.
- Attach Divider (M) to the assembled frame using 2 - Screws (1).
- Tighten with Hex Wrench (11) provided.



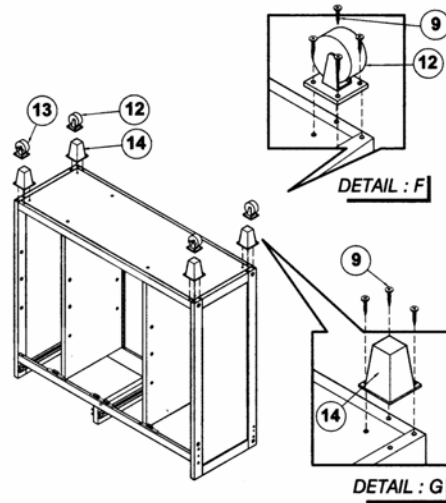
Step 5:

- Insert dowels on 2-Back Wood Support (S) into Back Apron (R).
- Slide 2-Side Back Panel (L) and 1- Mid Back Panel (K) into the slots on the 2-Back Wood Support (R) as shown.



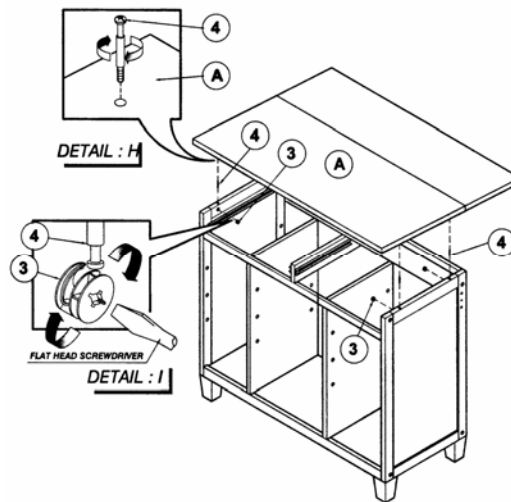
Step 6:

- Attach Bottom Panel (J) to the assembled unit using 8-Screws (I).
- Tighten with Hex Wrench (II) provided.



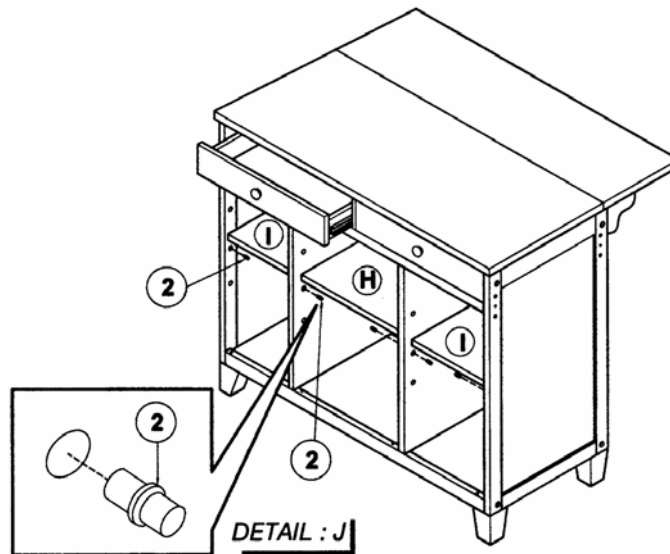
Step 7:

- **Bun Feet may be used to create an island, or casters to create a moveable cart.**
- **If using Bunfoot:** Place 1-Bunfoot (14) onto each corner of the assembled unit
- Secure using 12-Med Wood Screw (9). Tighten using Phillips head screwdriver.
- **If using Castors:** Place 2-Caster (12) onto back corner of assembled unit. Place 2-Locking Caster (13) onto front corner of assembled unit.
- Secure using 16-Med Wood Screw (9). Tighten using Phillips head screwdriver.



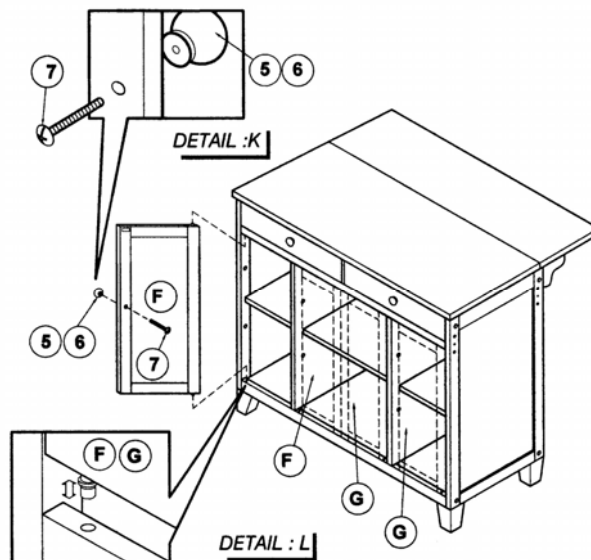
Step 8:

- Insert 4-Cam Lock Screw (4) into the bottom of Top Panel (A) as shown in detail H.
- Tighten with Phillips head screwdriver.
- Insert 4-Cam Locks (3) into the holds in the side of the Left and Right Side Panels (B,C). Be sure the opening in the Cam Lock (3) is facing up.
- Place the Cam Locks Screws (4) attached to the Top Panel (A) into the holes in the top of the Left and Right side Panels (B,C).
- Using a Flat head screwdriver, turn the Cam Locks (3) as shown in Detail I.



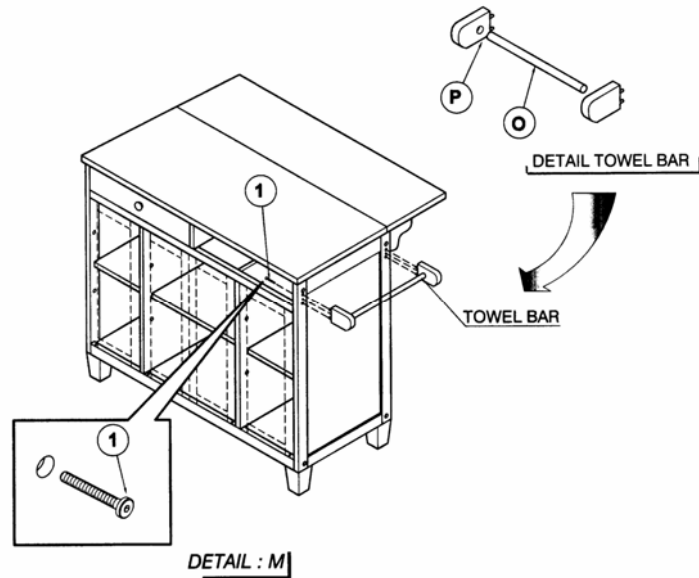
Step 9:

- Insert 12-Shelf Pins (2) into holes located on inside panels of assembled unit at the desired level.
- Place 2-Short Wood Shelf (I) onto pins inserted in side openings of assembled unit.
- Place 1-Long Wood Shelf (H) onto pins inserted in middle opening of assembled unit.
- Please be sure all shelves are level.



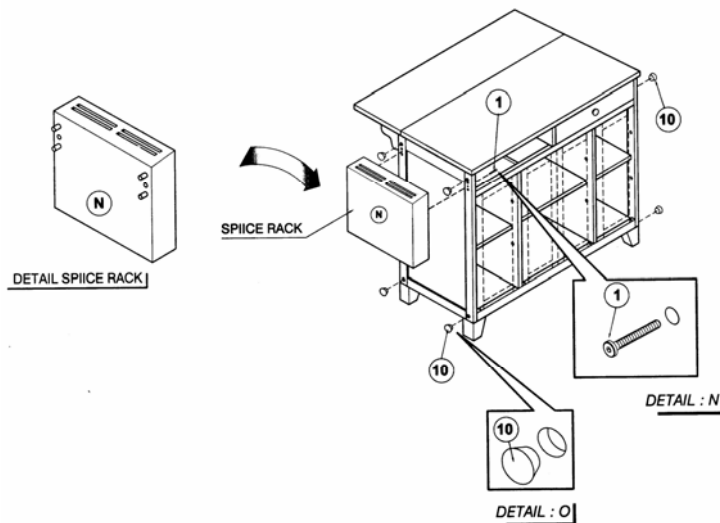
Step 10:

- Secure 4-Metal or Wood Knobs (5 or 6) to 2-Door - L (F), and 2-Door - R (G) using 4-Small Screw (7).
- Tighten with Phillips head screwdriver.
- Insert pins in 2-Door - L (F) and 2-Door - R (G) into assembled unit as shown in Detail L.



Step 11:

- Assemble the Towel Bar by inserting 1-Wood Bar (O) into the holes in 2- Hanging Bar (P) as shown in Detail: Towel Bar.
- Insert the Assembled Towel Bar into the holes in the side of the Assembled Cart unit.
- Secure using 2-Screws (1) as shown.
- Tighten with Hex Wrench (11) provided.



Step 12:

- Insert dowels on Knife Rack (N) into the assembled unit.
- Secure using 2-Screws (1) as shown.
- Insert 8-Wood Plugs (10) into open screw holes as shown.