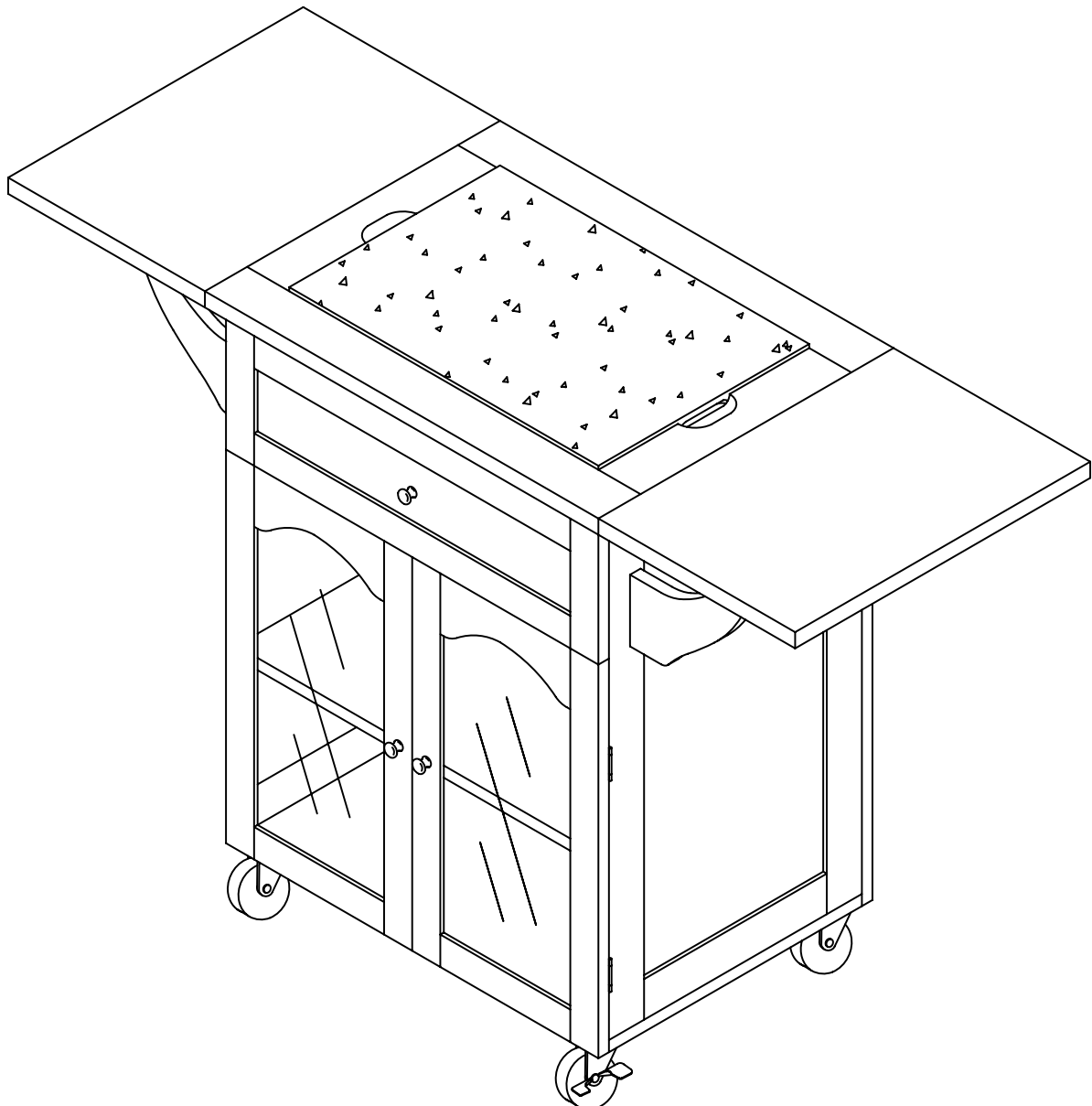


Thank you for purchasing this quality product. Be sure to check all packing material carefully for small parts which may have come loose inside the carton during shipment. Separate, identify, and count all parts and metal hardware. Compare with parts list and hardware illustrations to be sure all parts are present. If any part(s) are missing or damaged, phone, fax, or mail to our Customer Service Department. For efficient and speedy service, please indicate the model number and code letter of part(s) needed.

ATTENTION: SOME LETTERED PARTS LISTED ON THE INSTRUCTION SHEET MAY NOT BE IN PARTS BAG AS THEY MAY ALREADY BE ASSEMBLED. CAREFULLY CHECK PARTS AND PACKING MATERIALS PRIOR TO ORDERING REPLACEMENTS.

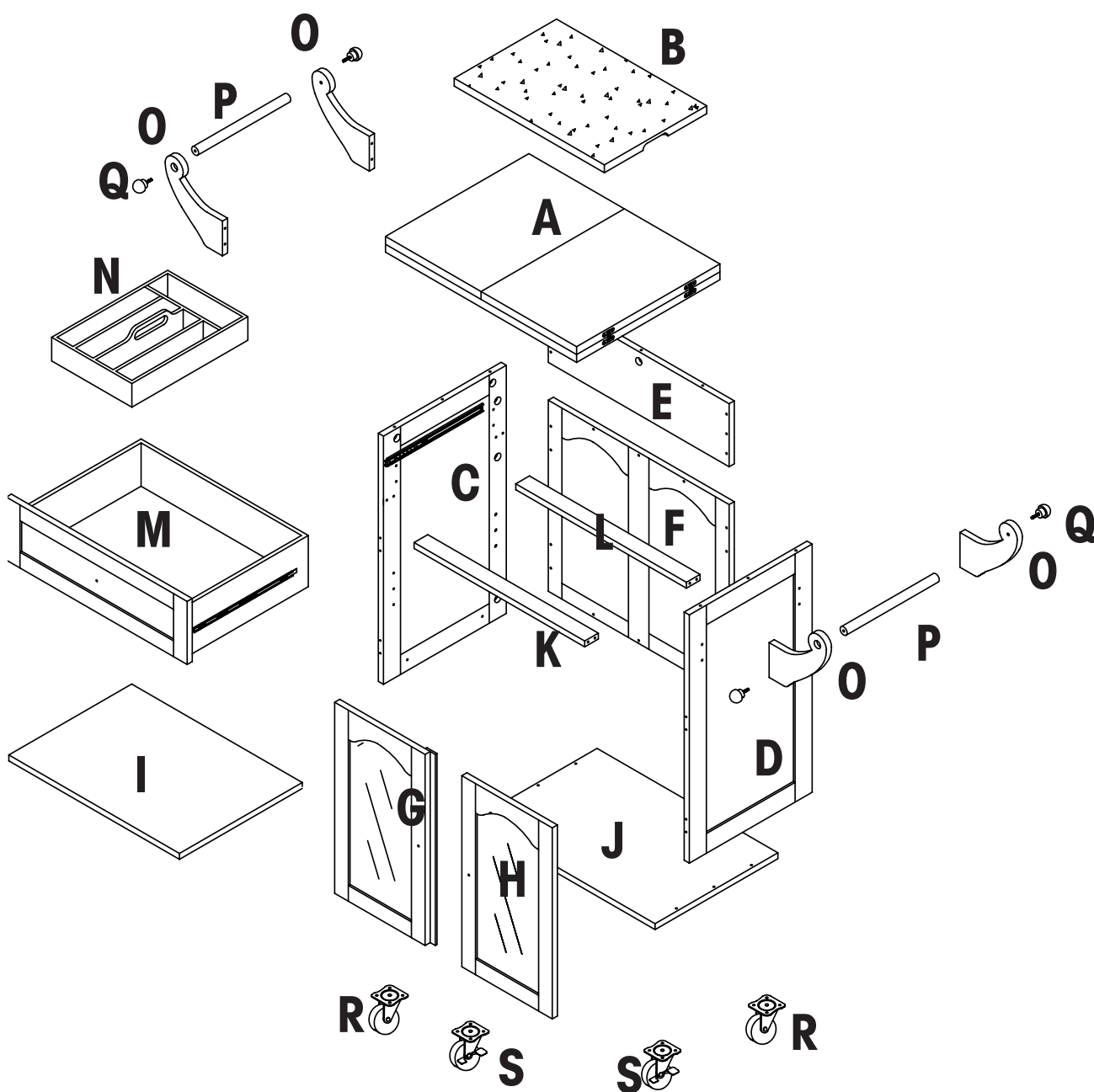
NOTE: Some synthetic floors may have a chemical reaction with the rubber casters used on this product. Please check your warranty instructions from your flooring supplier to verify their product is safe to use with carts that use casters.

Tools Required for assembly: Phillips Screwdriver (not included).

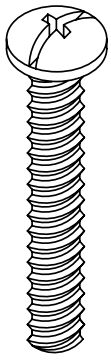


PARTS

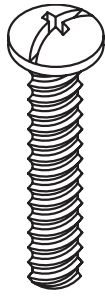
- | | |
|----------------------|--------------------------|
| (A) TOP | (K) FRONT CROSS BRACE |
| (B) STONE | (L) REAR CROSS BRACE |
| (C) LEFT PANEL | (M) DRAWER |
| (D) RIGHT PANEL | (N) ORGANIZER |
| (E) UPPER BACK PANEL | (O) BAR SUPPORTS (4) |
| (F) LOWER BACK PANEL | (P) HANDLES (2) |
| (G) LEFT DOOR | (Q) END CAPS (4) |
| (H) RIGHT DOOR | (R) CASTERS W/O LOCK (2) |
| (I) SHELF | (S) CASTERS W/LOCK (2) |
| (J) BOTTOM PANEL | (T) GLIDES (2) |



HARDWARE



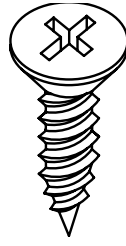
H1
(12 PCS)



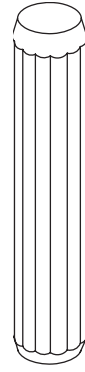
H2
(16 PCS)



H3
(3 PCS)



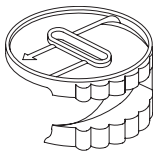
H4
(20 PCS)



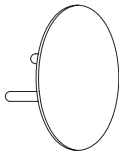
H5
(22 PCS)



H6
(17 PCS)



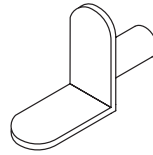
H7
(17 PCS)



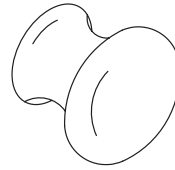
H8
(17 PCS)



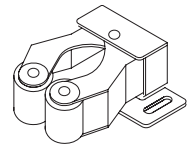
H9
(4 PCS)



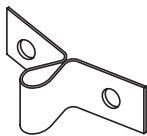
H10
(4 PCS)



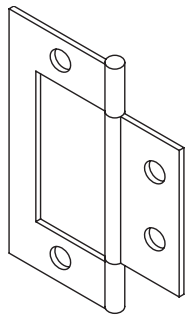
H11
(3 PCS)



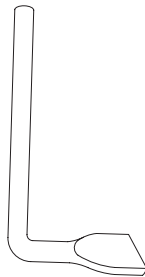
H12
(1 PC)



H13
(1 PC)



H14
(4 PCS)



H15
(1 PC)

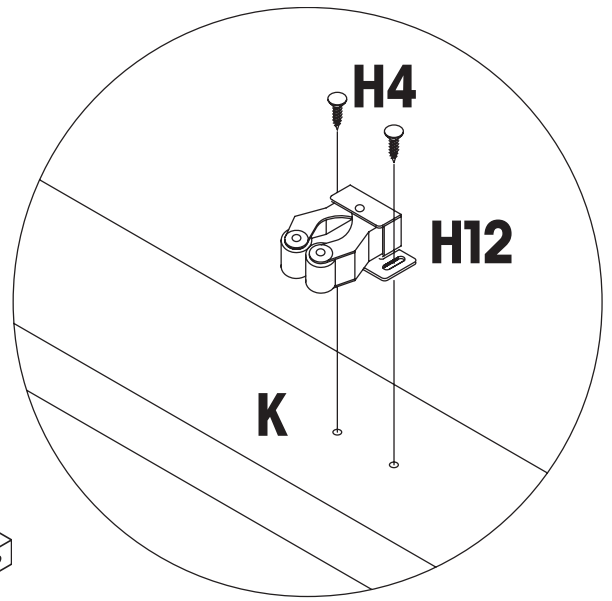
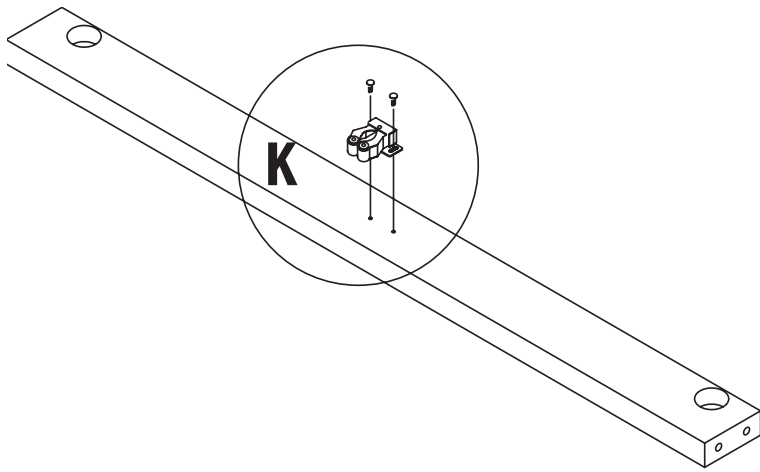


H16
(8 PCS)

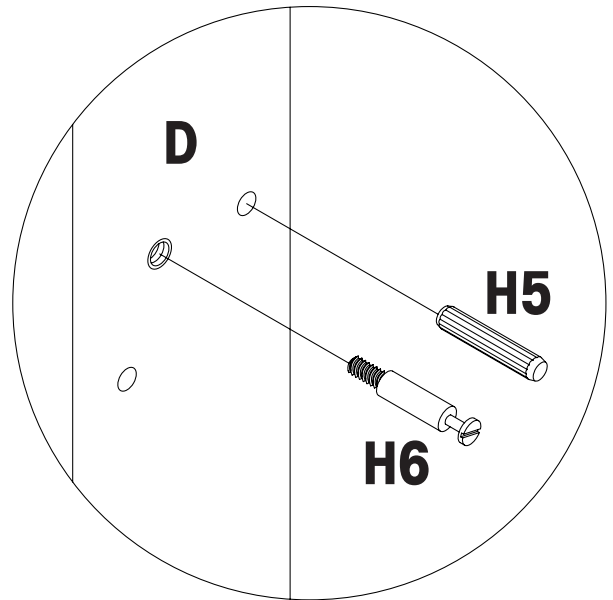
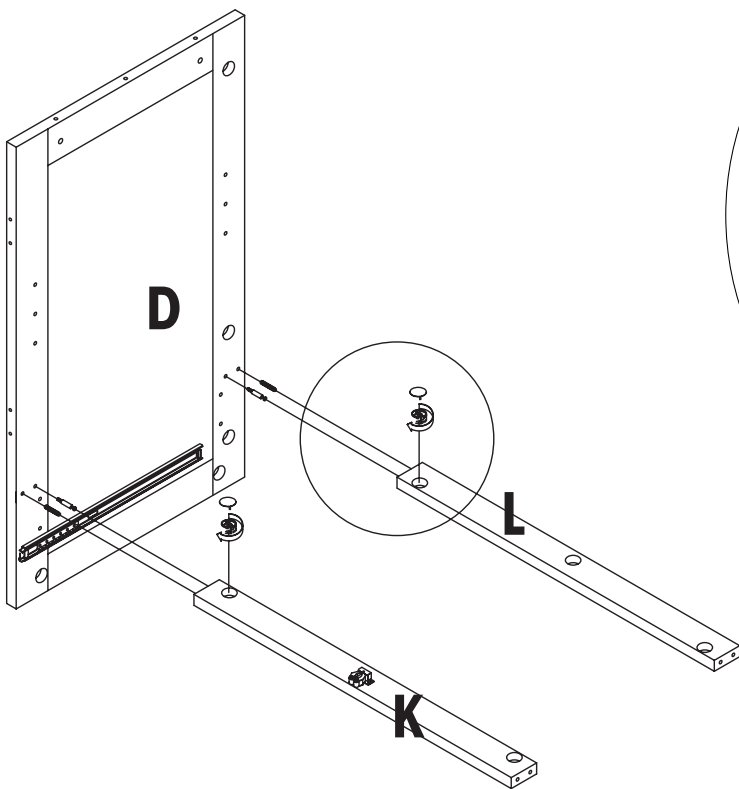


H17
(8 PCS)

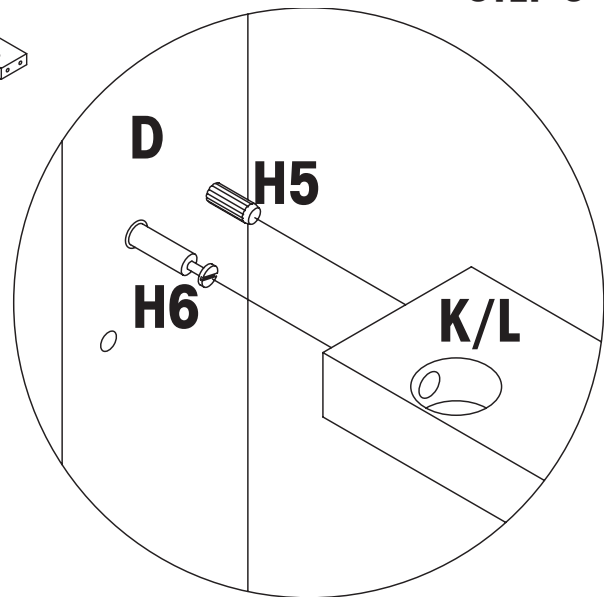
STEP 1



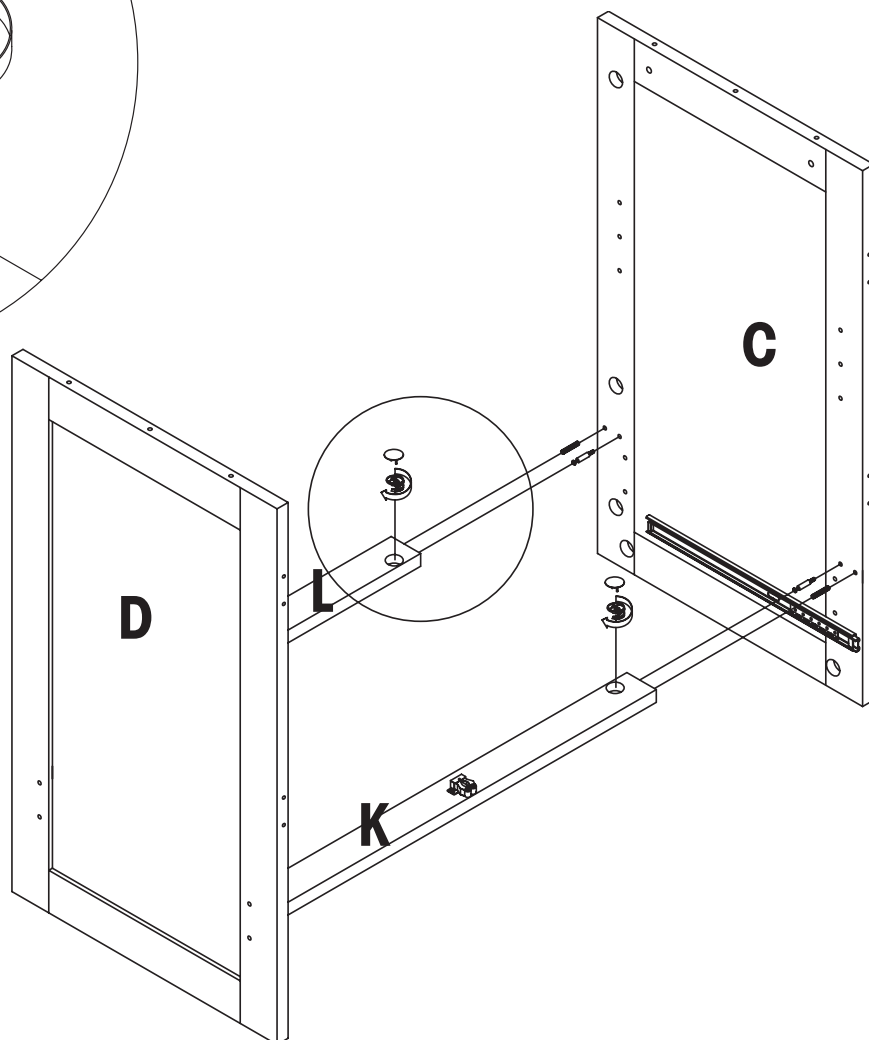
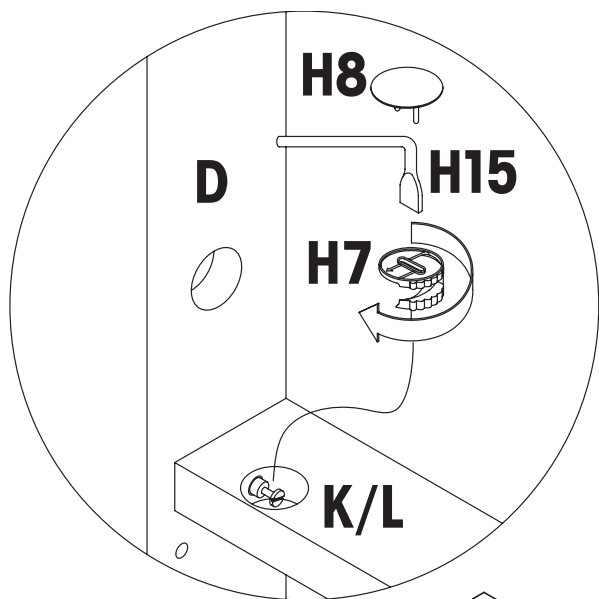
STEP 2



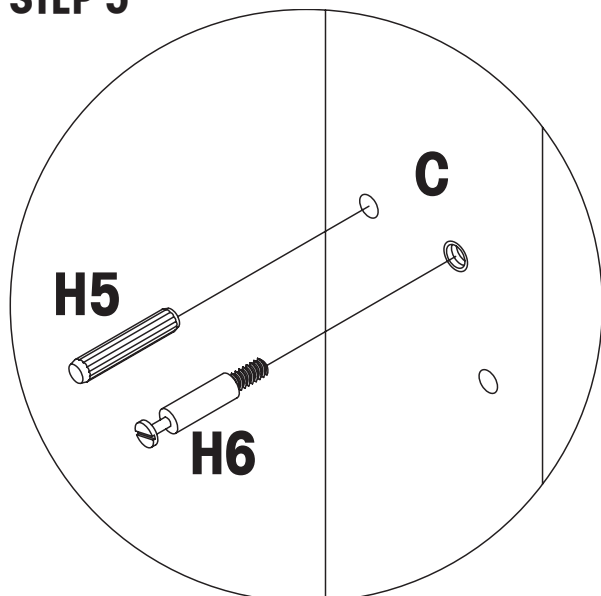
STEP 3



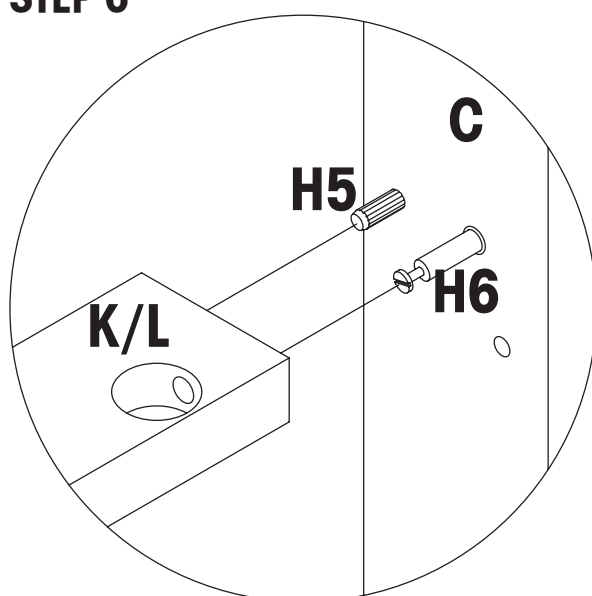
STEP 4



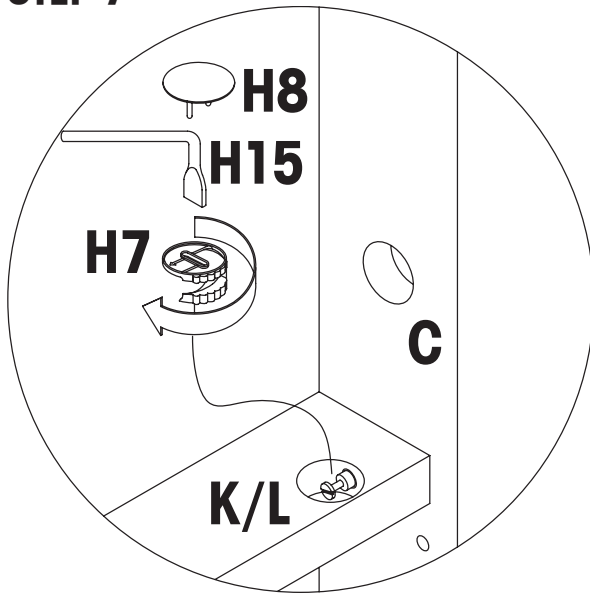
STEP 5



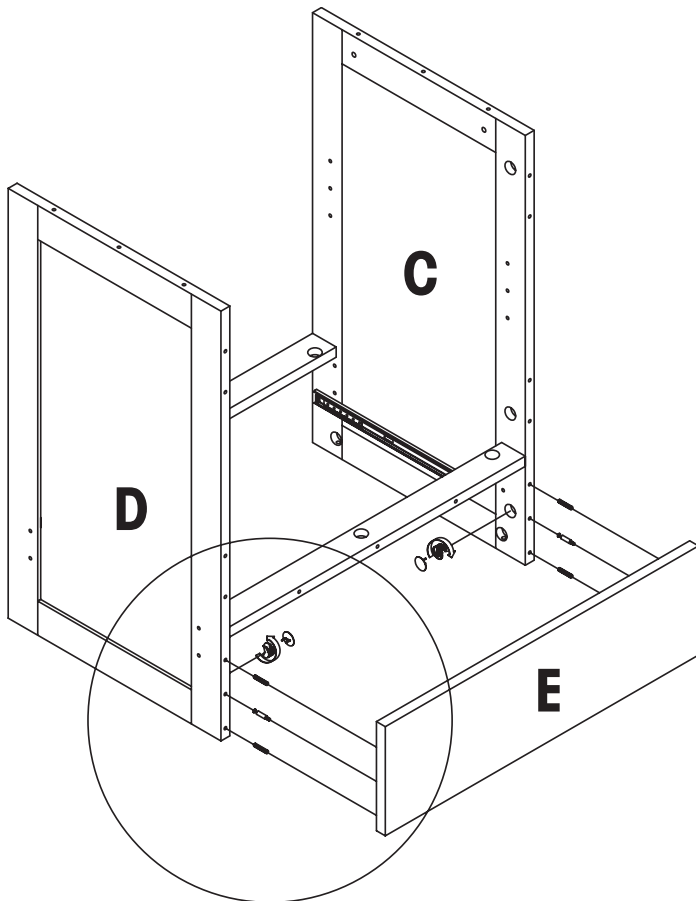
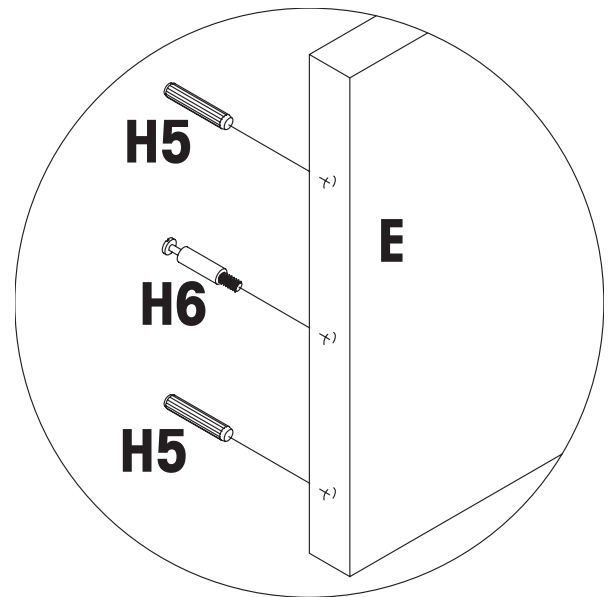
STEP 6



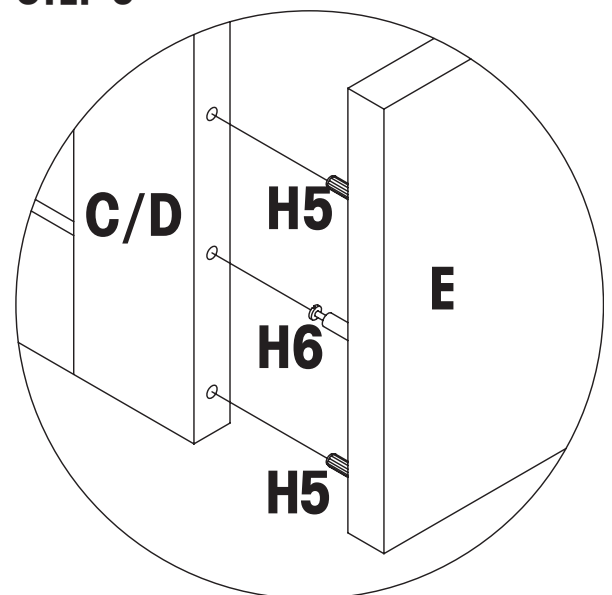
STEP 7



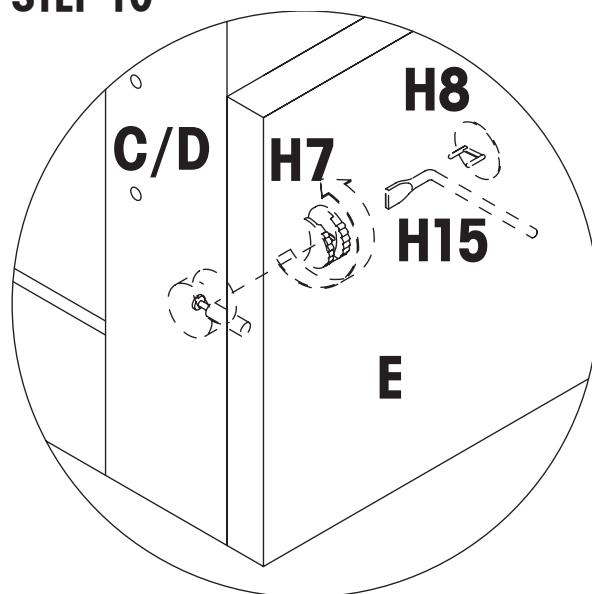
STEP 8



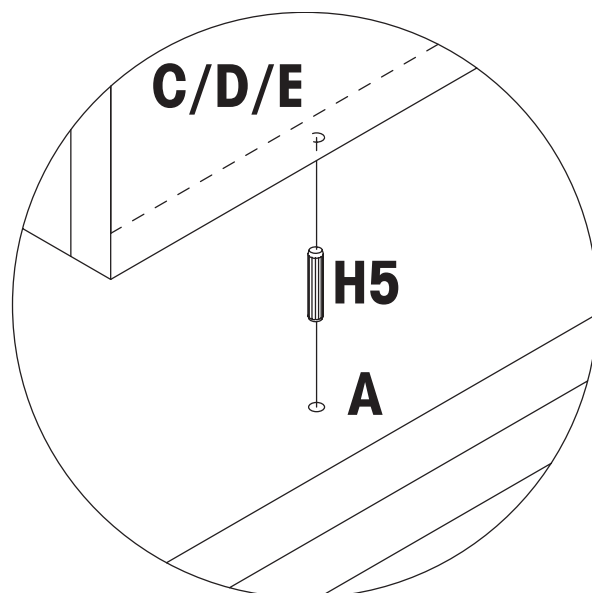
STEP 9



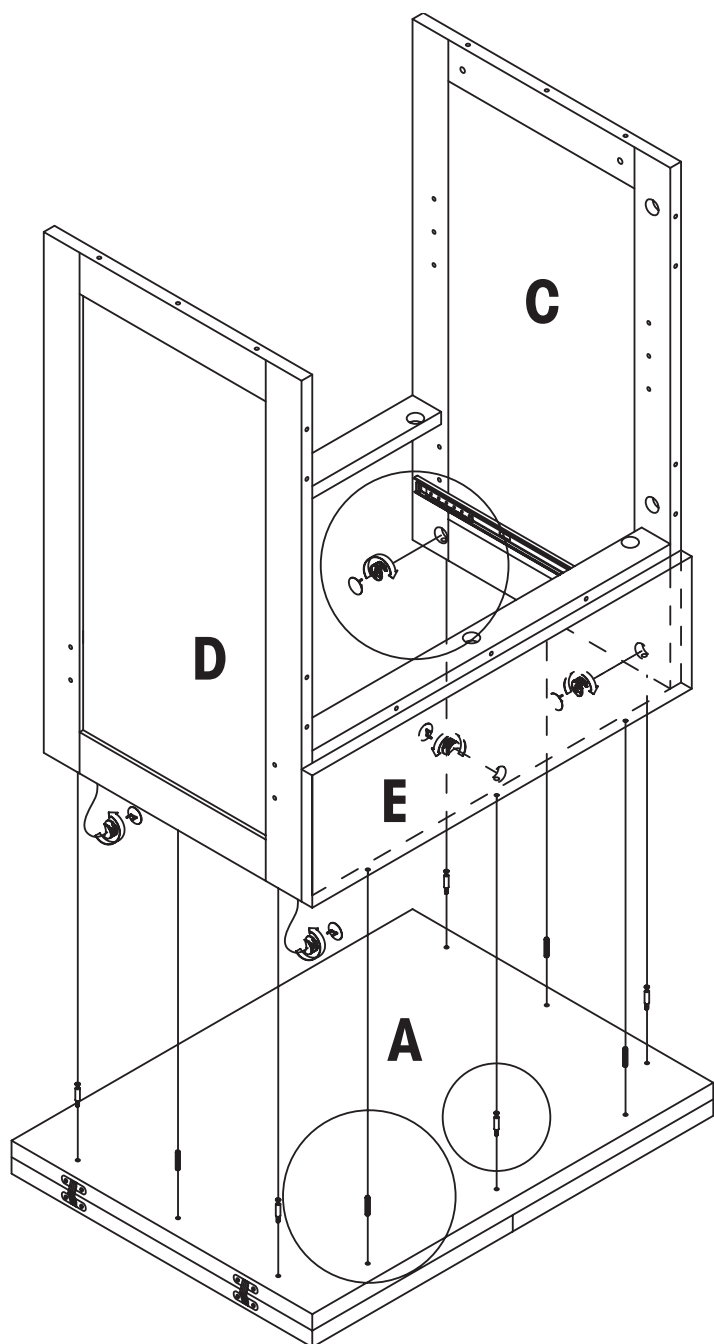
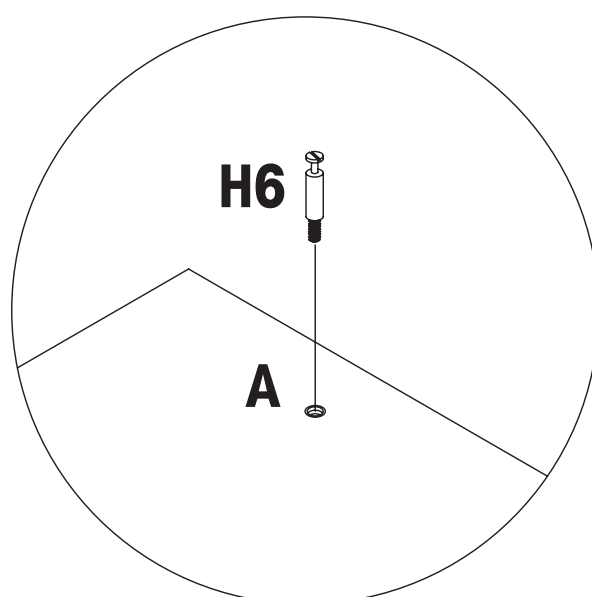
STEP 10



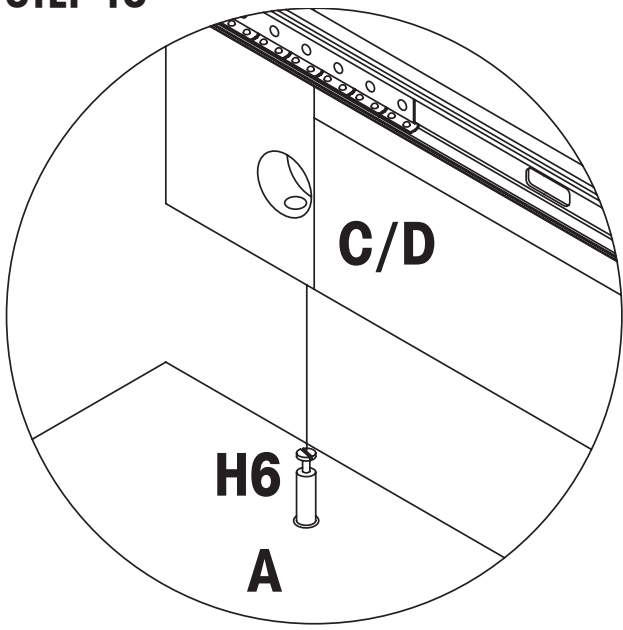
STEP 11



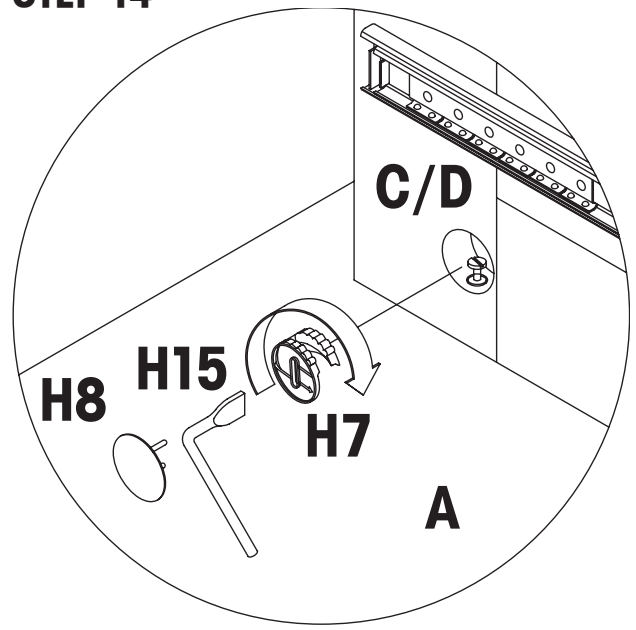
STEP 12



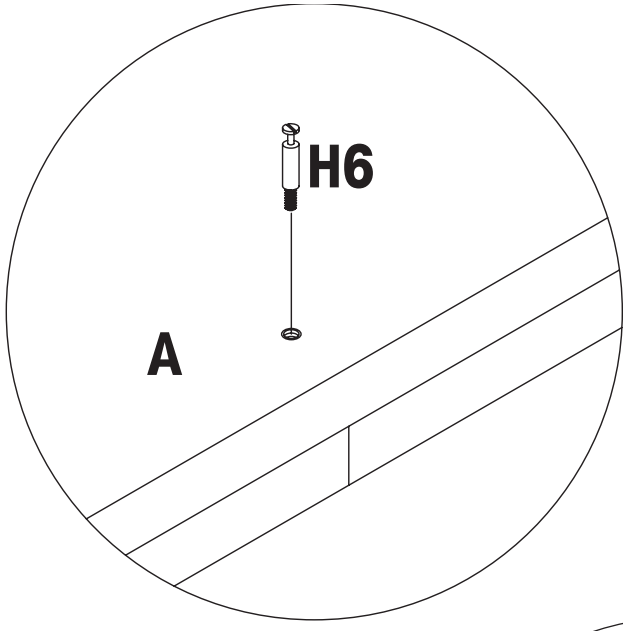
STEP 13



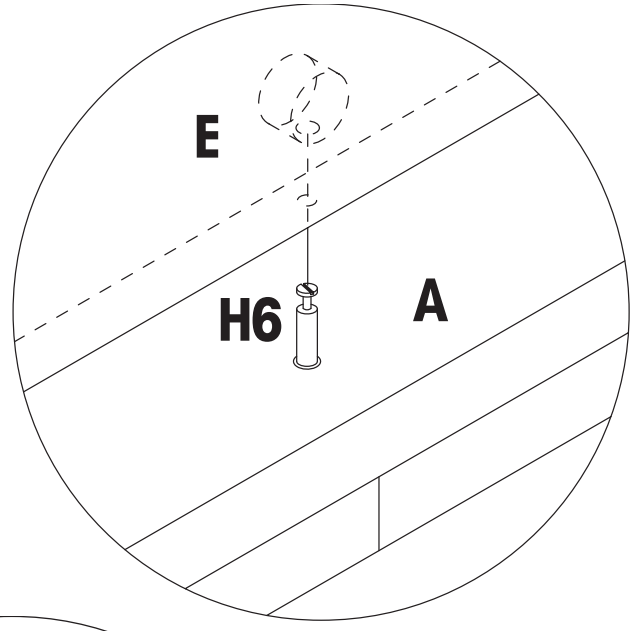
STEP 14



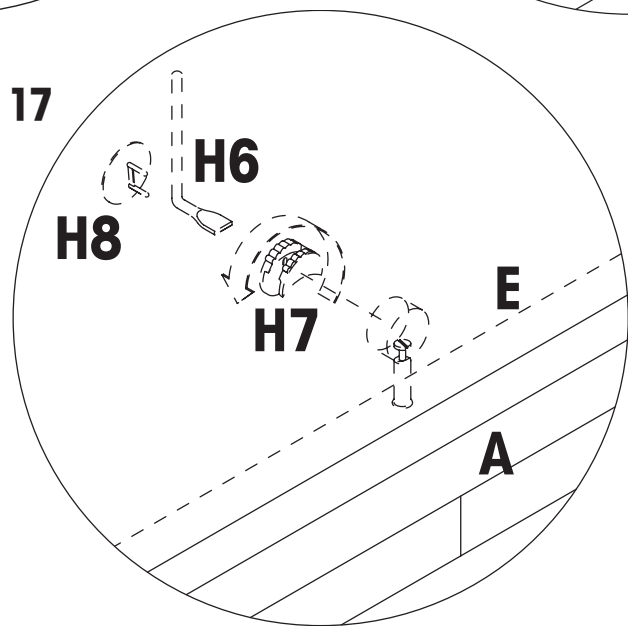
STEP 15

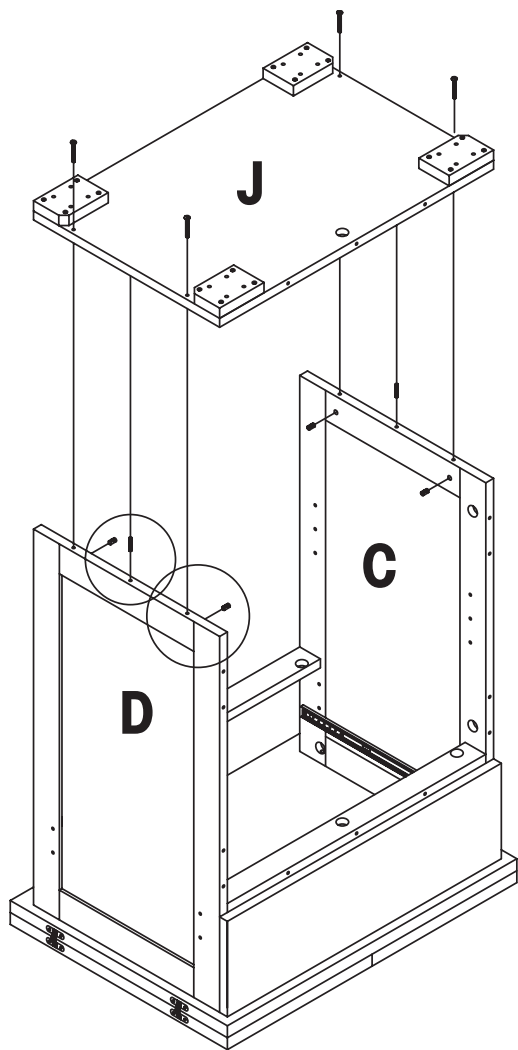


STEP 16

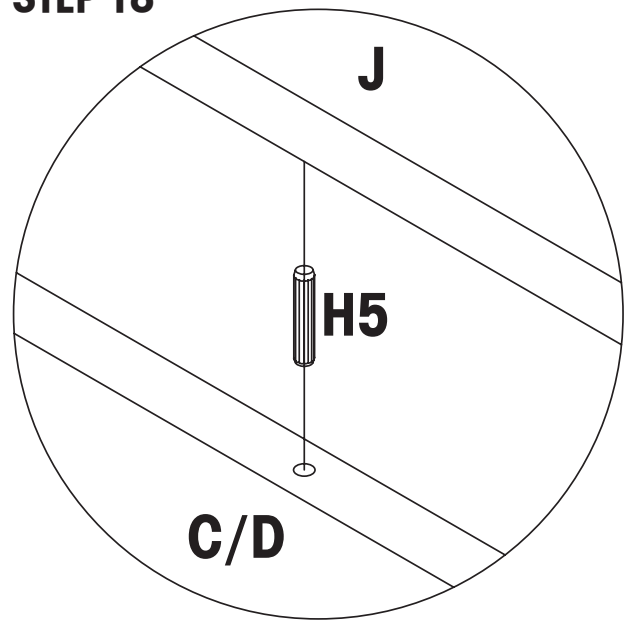


STEP 17

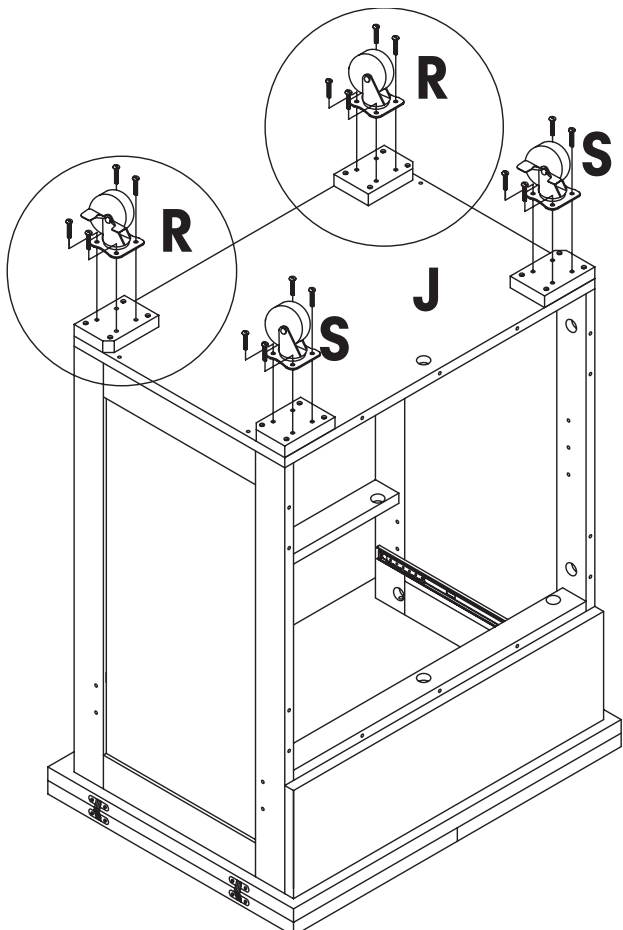
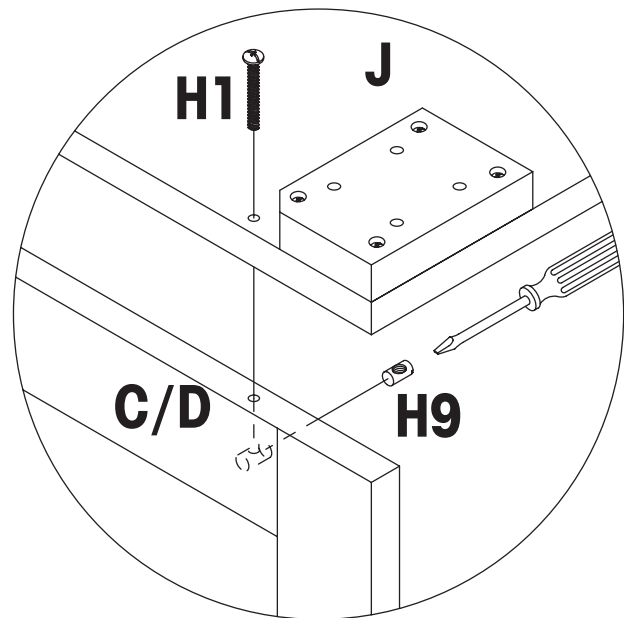




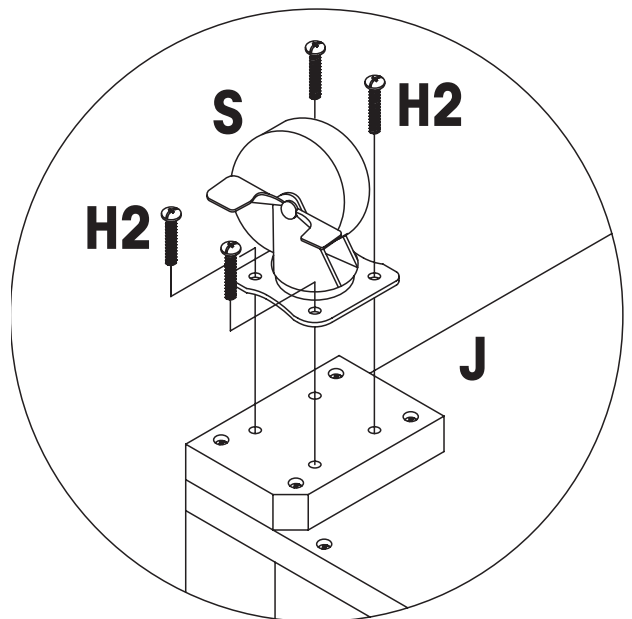
STEP 18



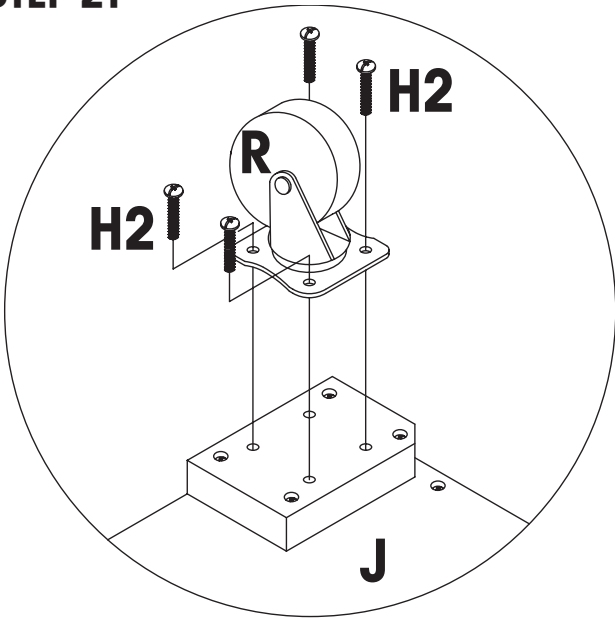
STEP 19



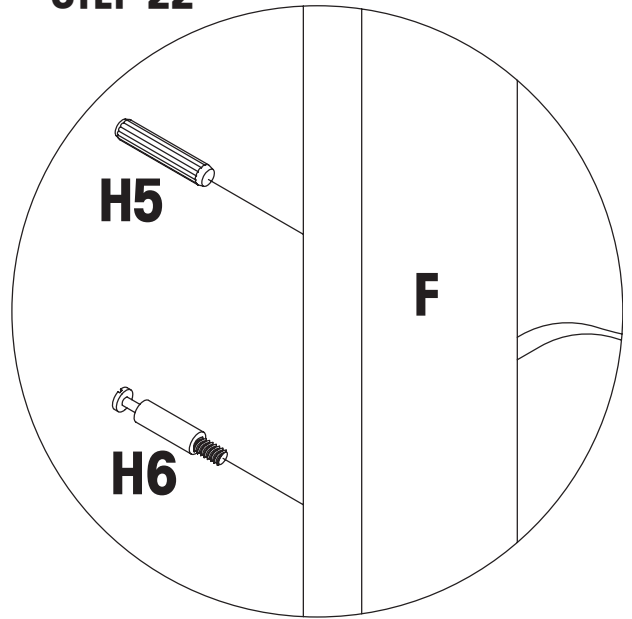
STEP 20



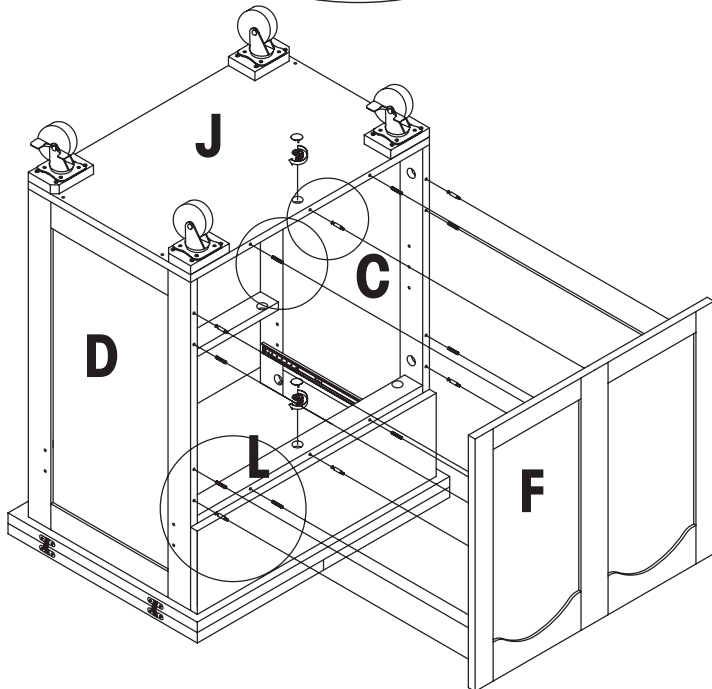
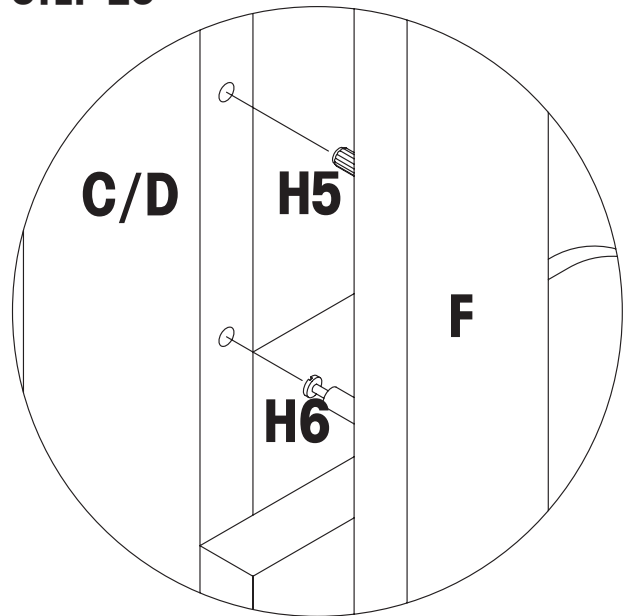
STEP 21



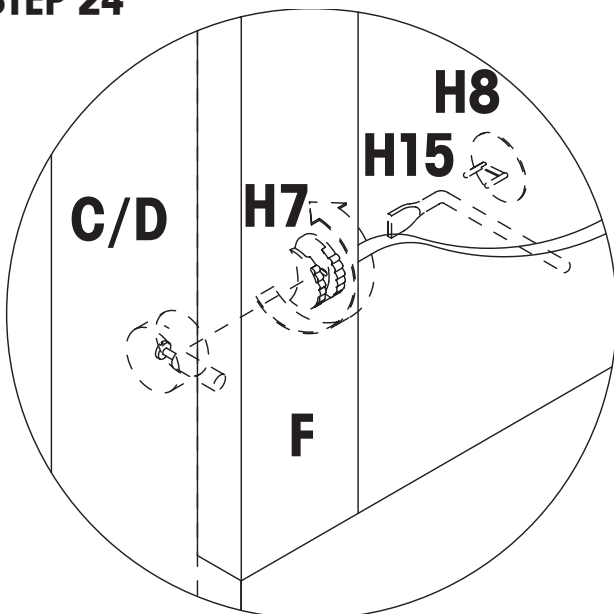
STEP 22



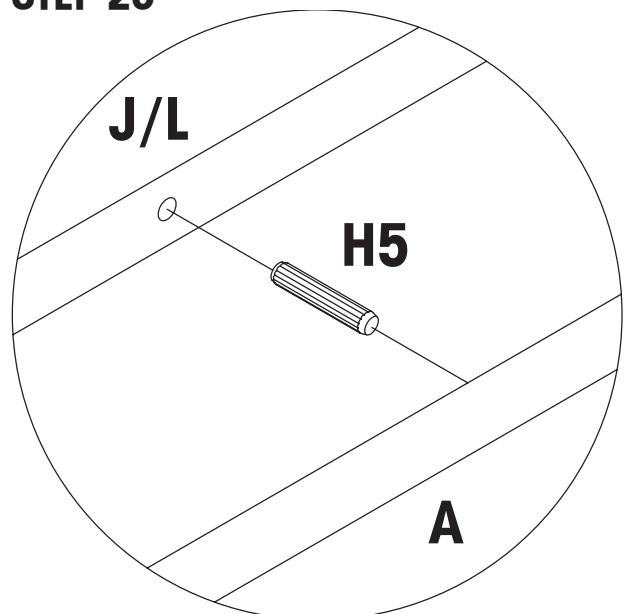
STEP 23



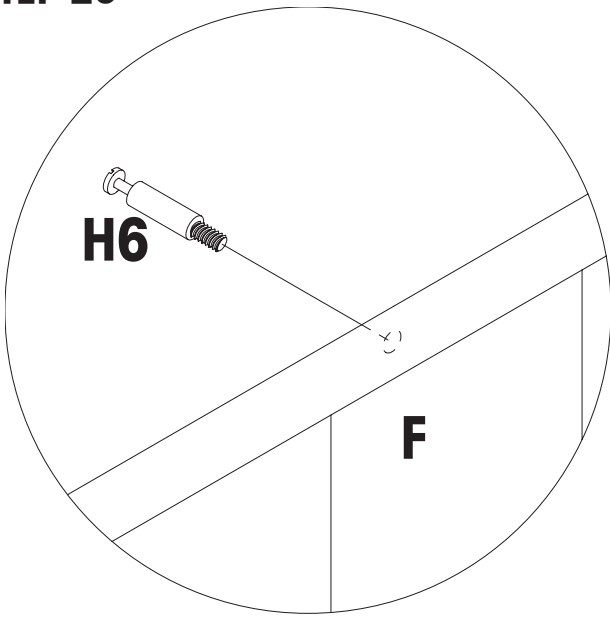
STEP 24



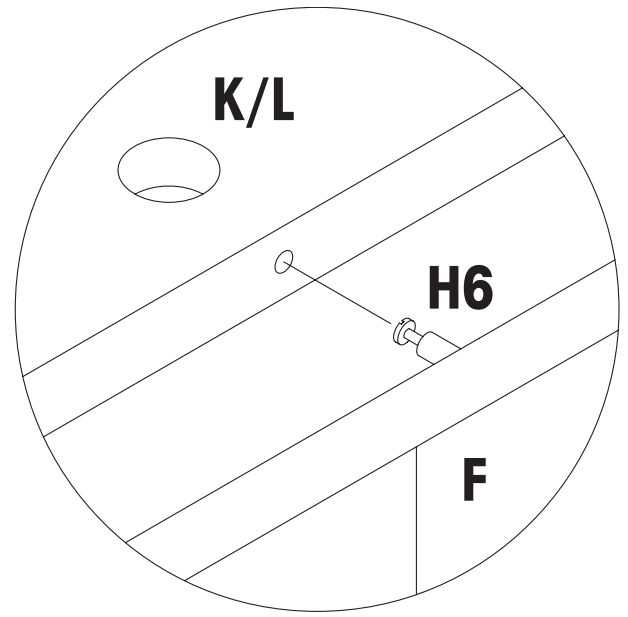
STEP 25



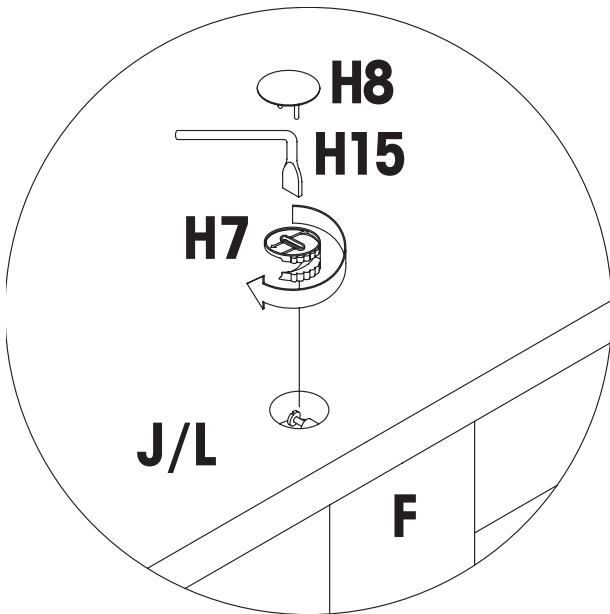
STEP 26



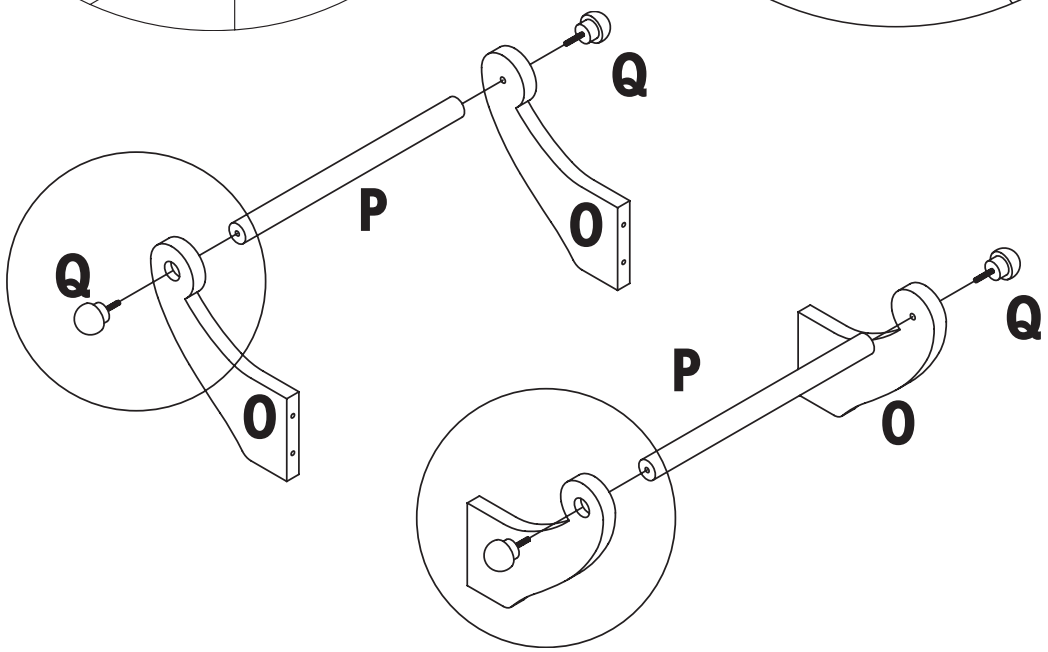
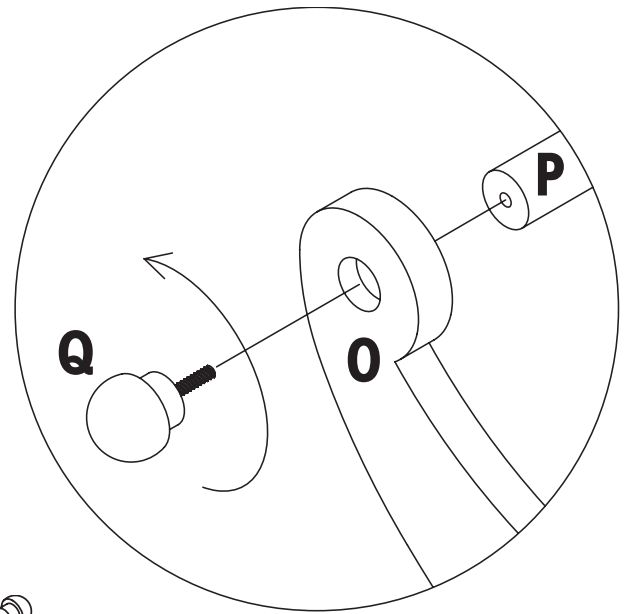
STEP 27

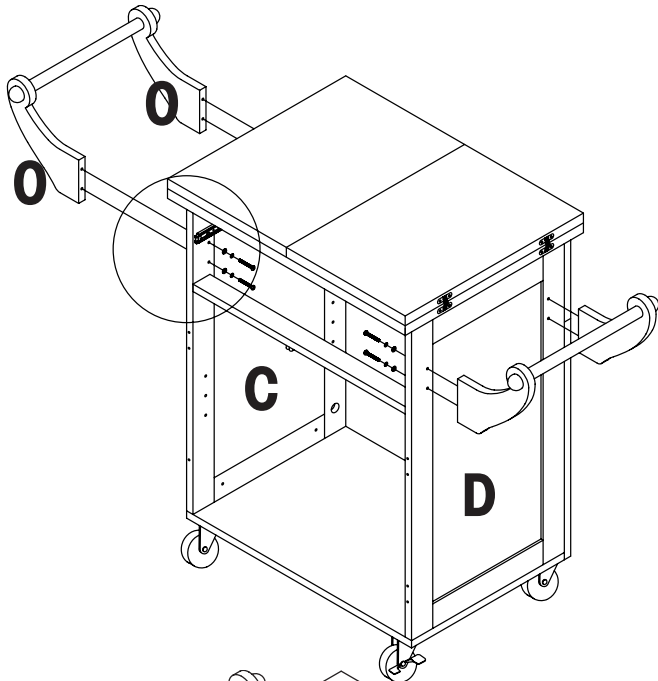


STEP 28

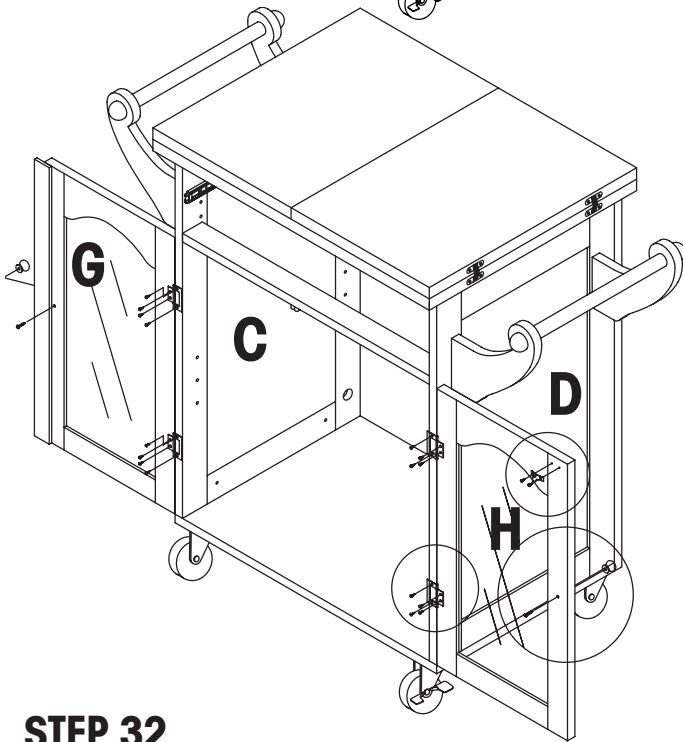
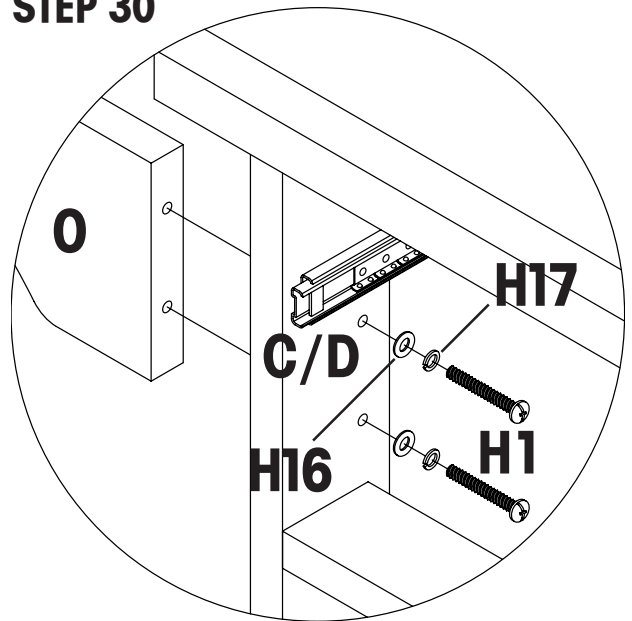


STEP 29

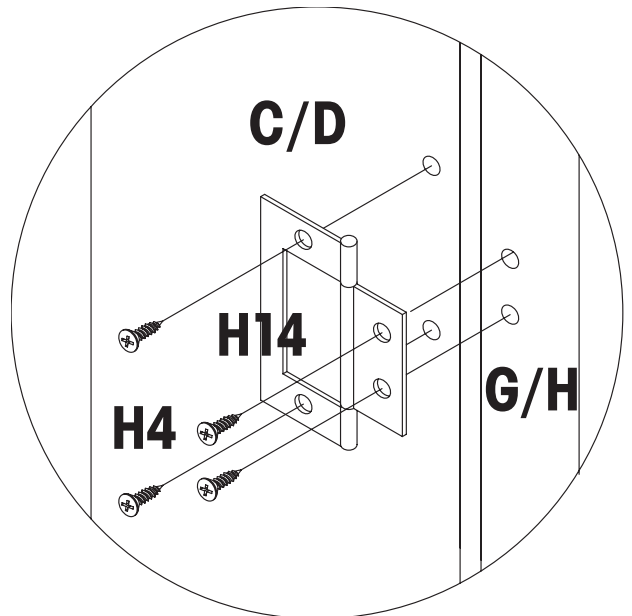




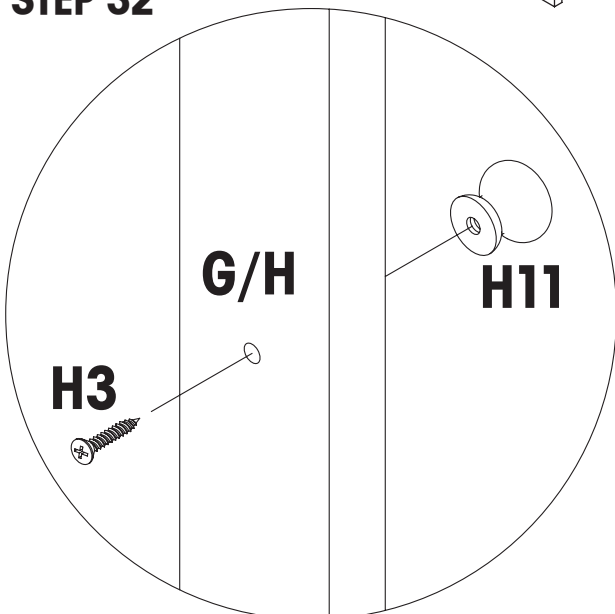
STEP 30



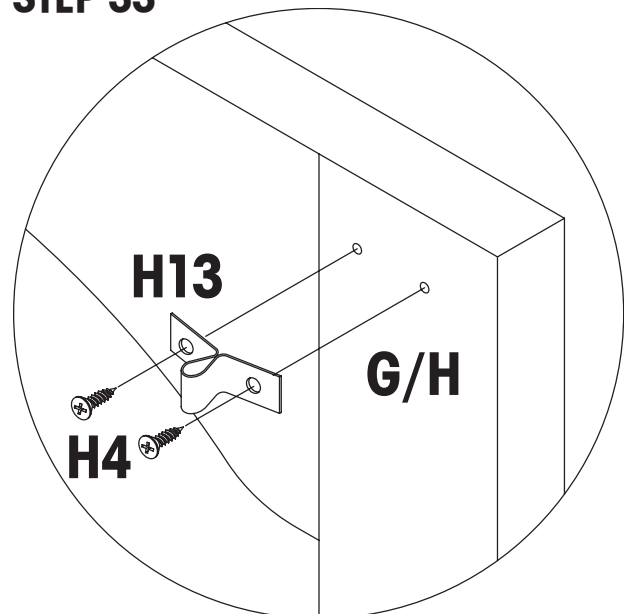
STEP 31



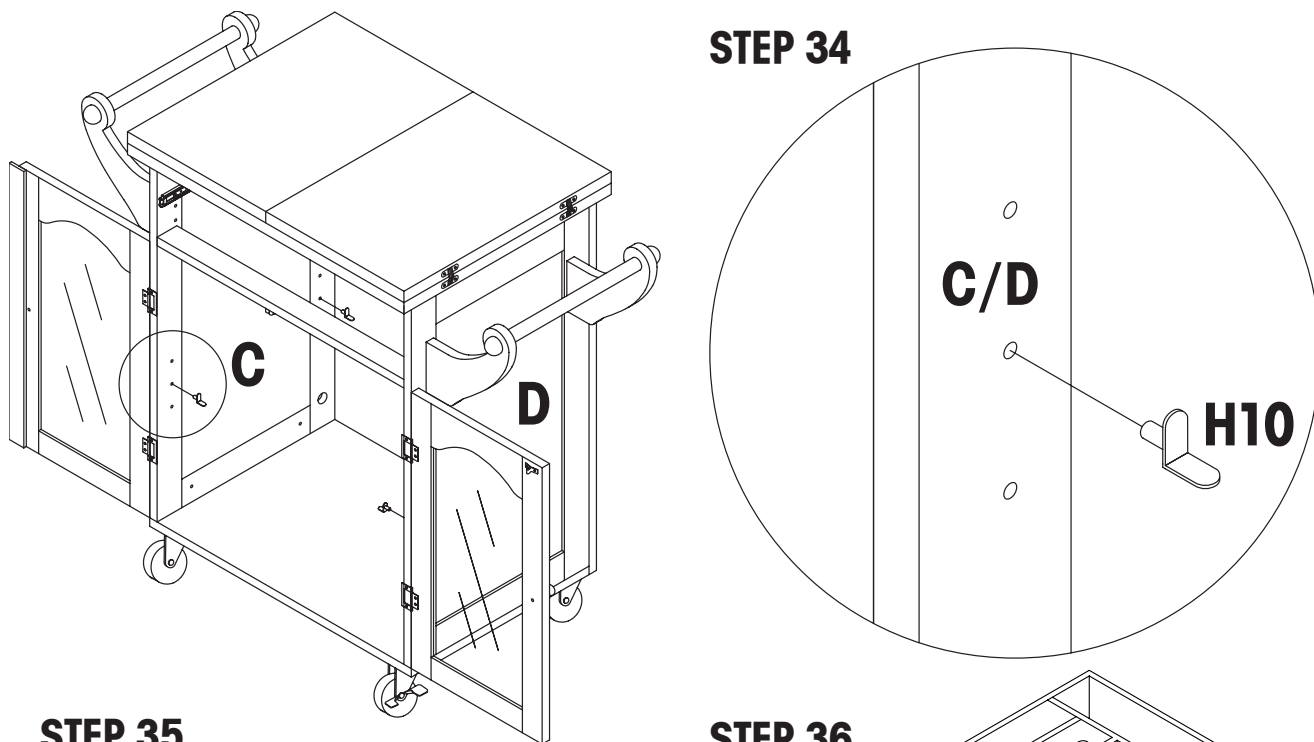
STEP 32



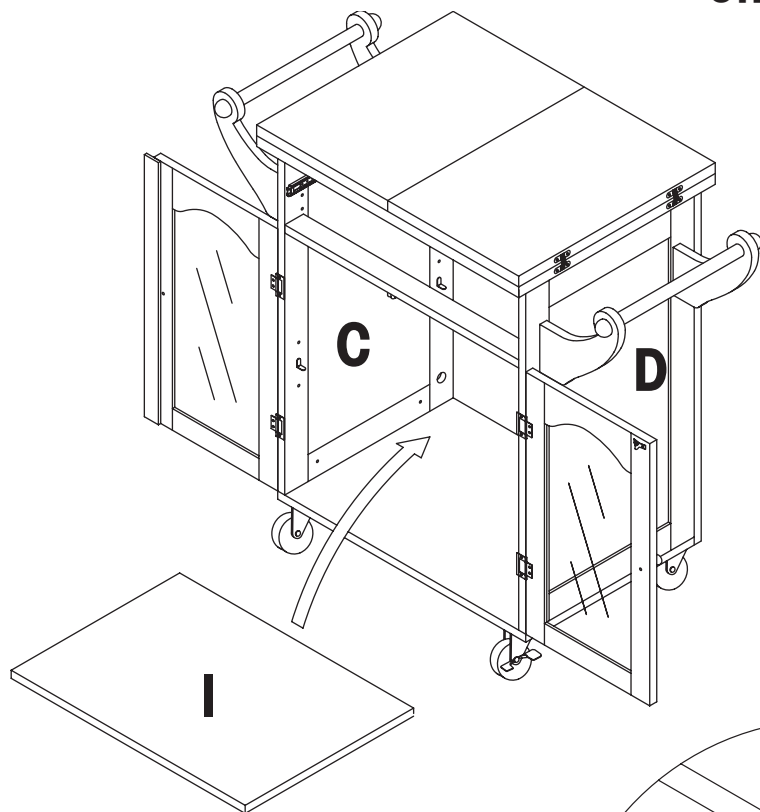
STEP 33



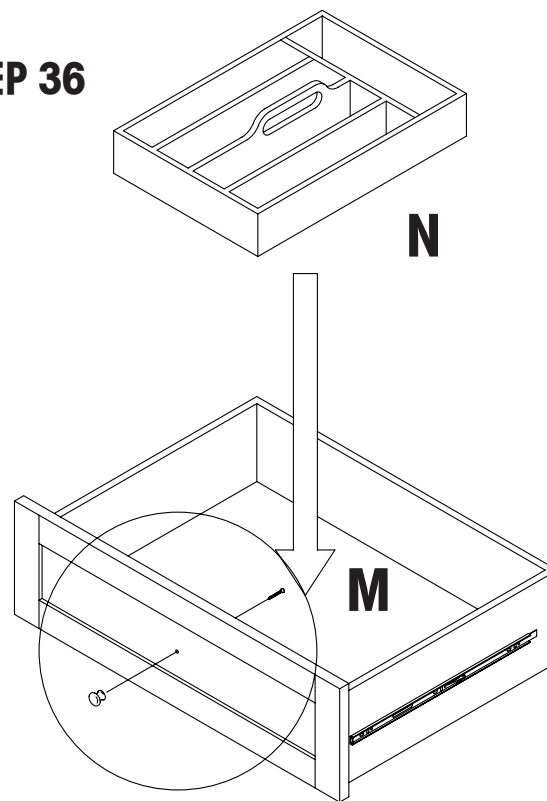
STEP 34



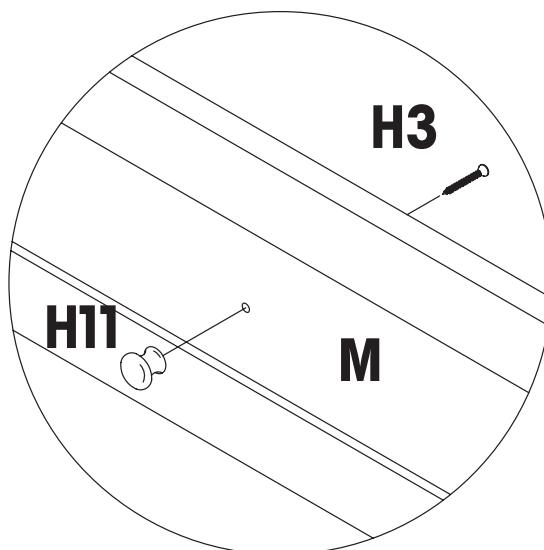
STEP 35



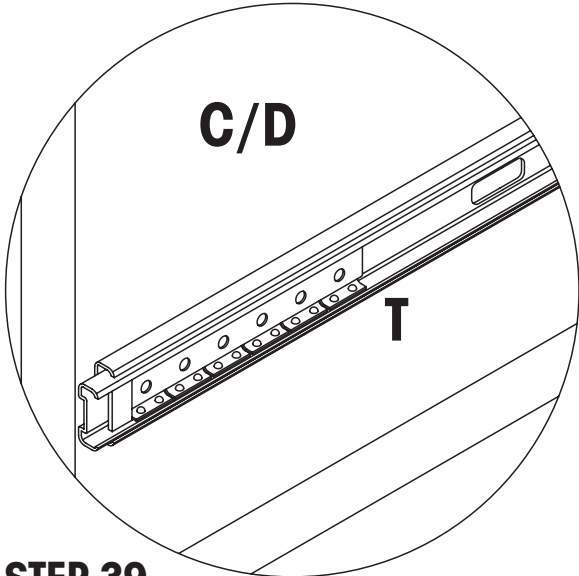
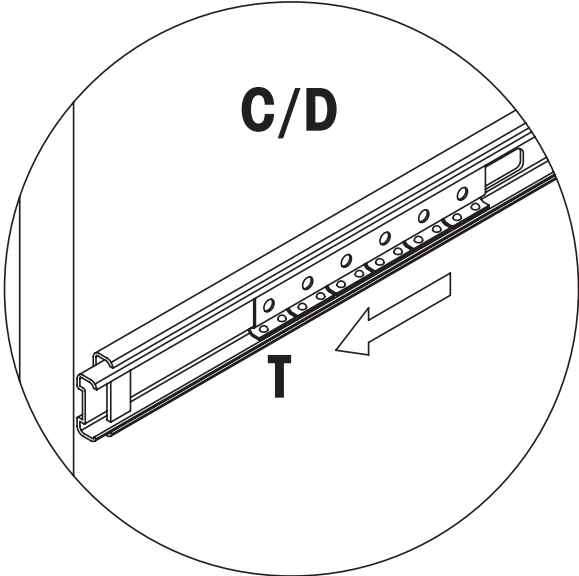
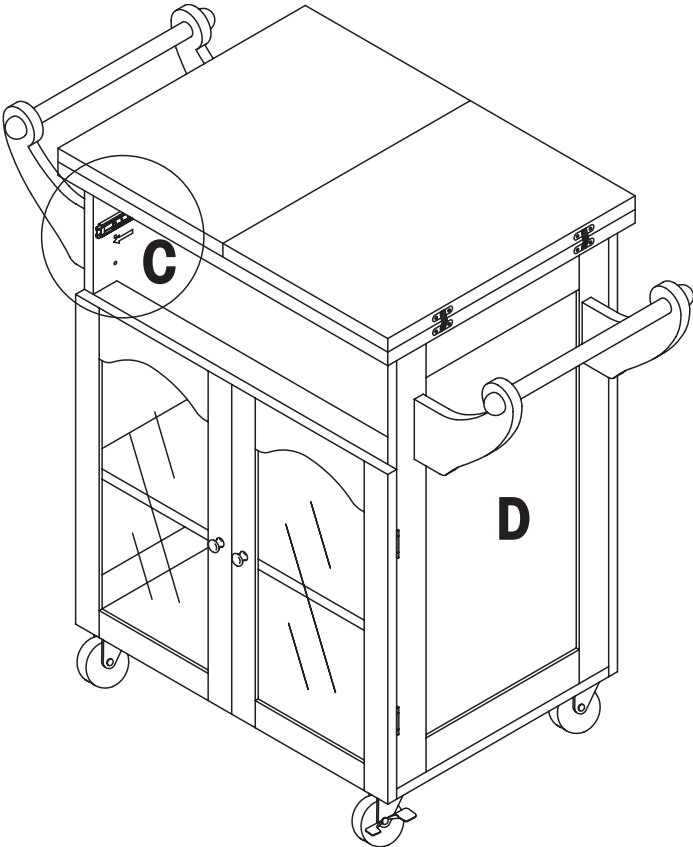
STEP 36



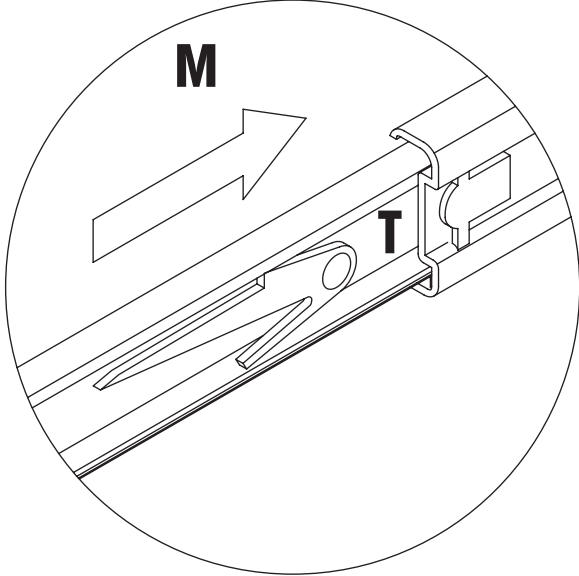
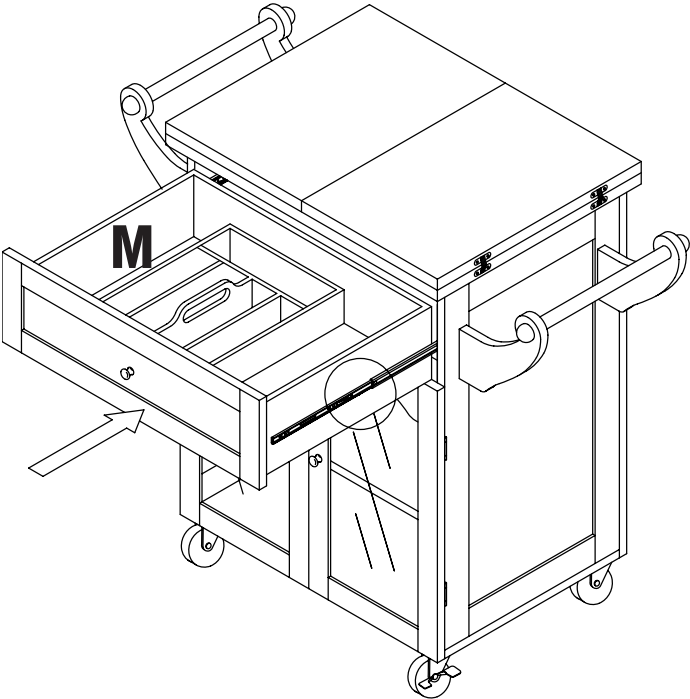
STEP 37

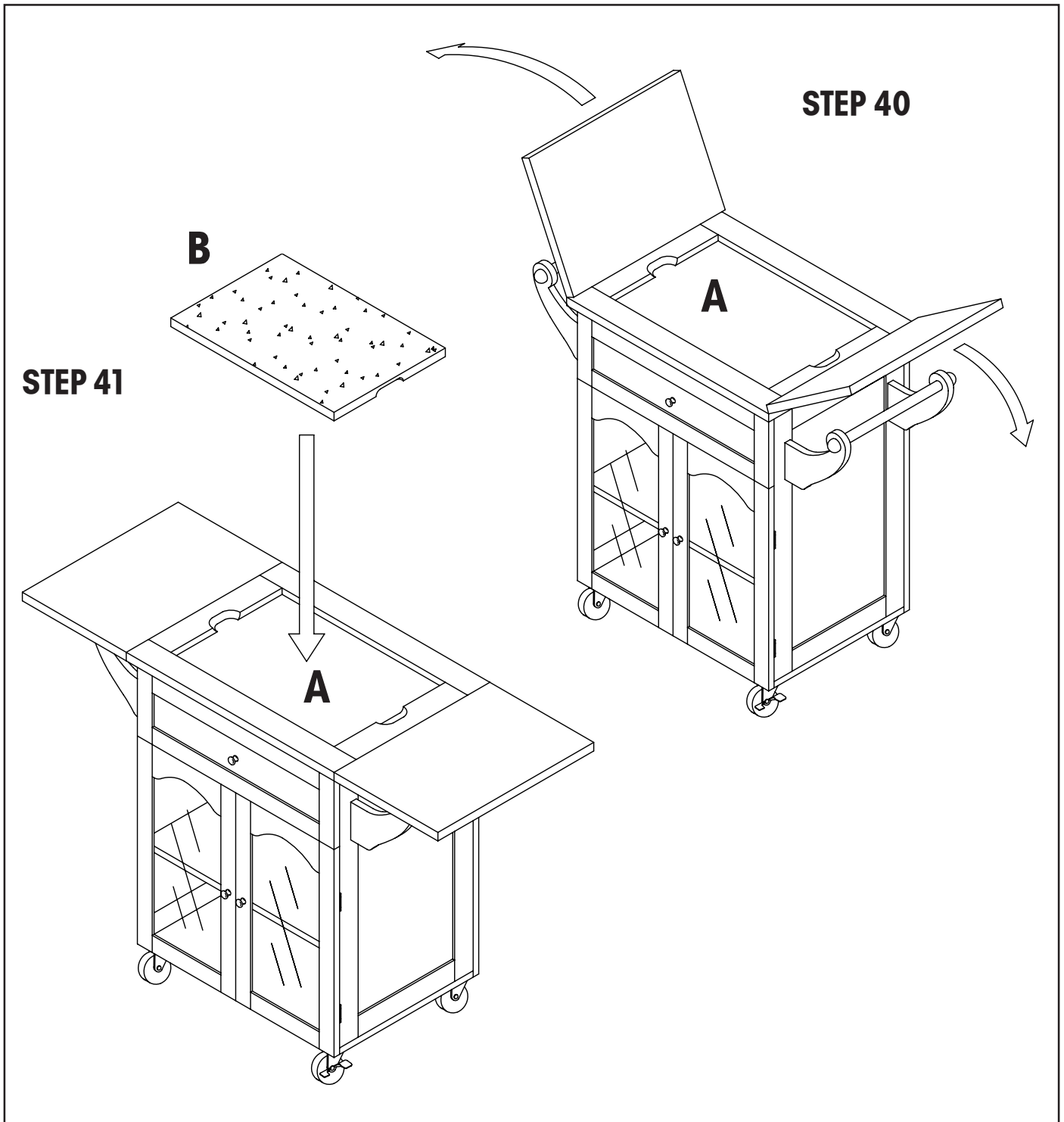


STEP 38



STEP 39





IF YOU HAVE A PROBLEM, WE WANT TO HAVE THE OPPORTUNITY TO MAKE IT RIGHT!

Should there be any missing or defective part(s),
Fax this form to (310) 841-0842
 or call Customer Service at (800) 622-4456 or (310) 204-2224
 Have your model number and part code letter handy.

MODEL NO. 439-462A

© 2005 Powell

Part Letter Description Quantity

Name _____
 Address _____

Daytime Phone () _____
 Reason for replacement _____

Place of purchase _____