



1.888.880.4884

Assembly Instructions

ITEM Number: EWB233-1/EWB235-1

Product Name: White / Espresso Stools-Set of 2

PRE-ASSEMBLY PREPARATION:

- Verify that all of the required parts have been included in the carton. The contents included in the box of your new product are listed below.
- Clear an area for assembly as you unpack the carton. The parts should be placed on a carpeted or padded area to protect your product and the floor from damage.

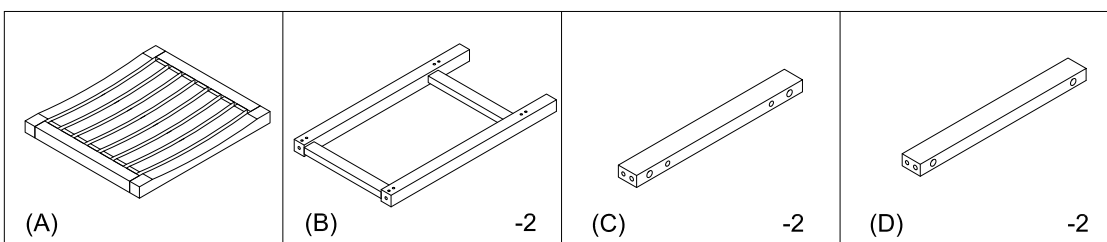
Need assistance assembling our product
need parts

Call our Customer Service Department at
1-800-632-4901

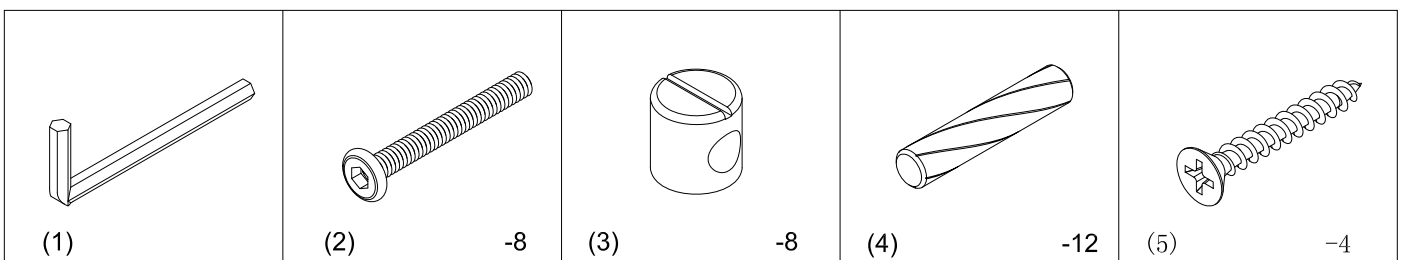
Cleaning Care

Use a slightly damp cloth to wipe the product. Always avoid the use of harsh chemicals and abrasives.

Panel and Fittings Identification:

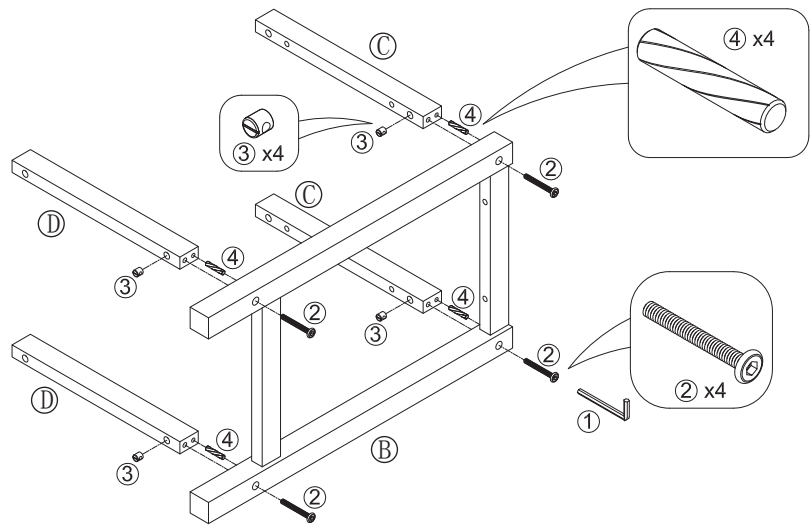


Hardware



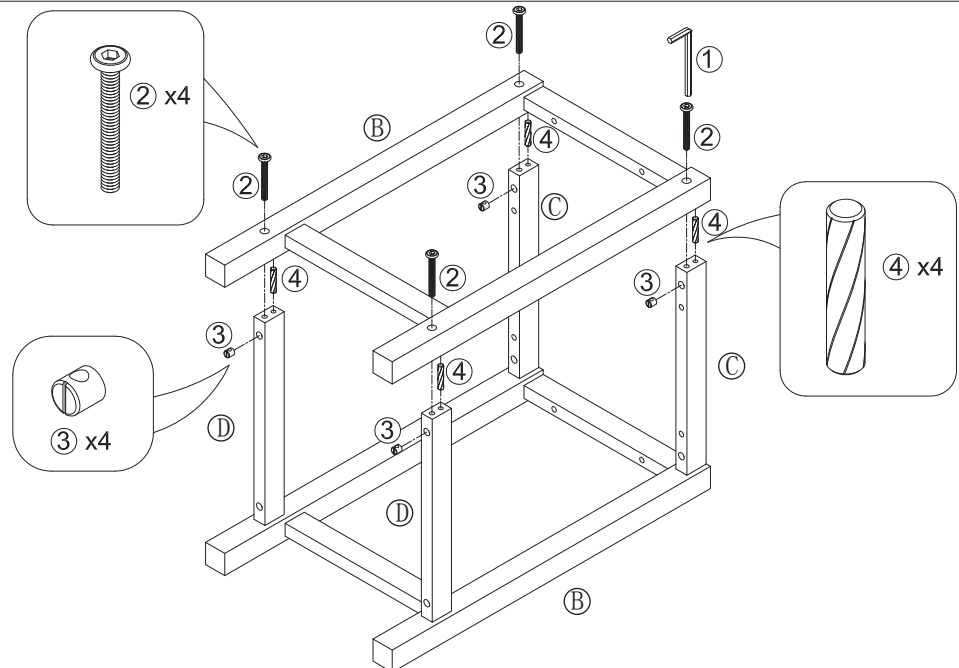
Step 1:

- Insert 4 (4) wood dowels into (B) board position as diagram, and then insert 4 (3) respectively into (D) & (C) bar as shown on diagram.
- Tighten 4 (2) screws with wrench



Step 2:

- Diagram only.



Step 3:

- Diagram only.

